

## Over 30 Layout Functions

Purchase Your Mortise & Tenon Master

<https://www.starhilltimberworks.com>



Simply use a tape or storyboard to mark the start and stops for your joinery. Then, use the Mortise & Tenon Master to complete the layout process.

Mill Rule - Square Rule - Snap Line - Center Line

Mortise Layout - Housing Layout - Tenon Checking

Boring Machine Holes - Peg Holes

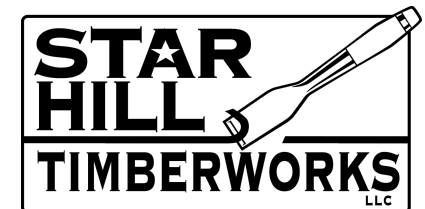


**Mortise & Tenon Master**

**User Guide**

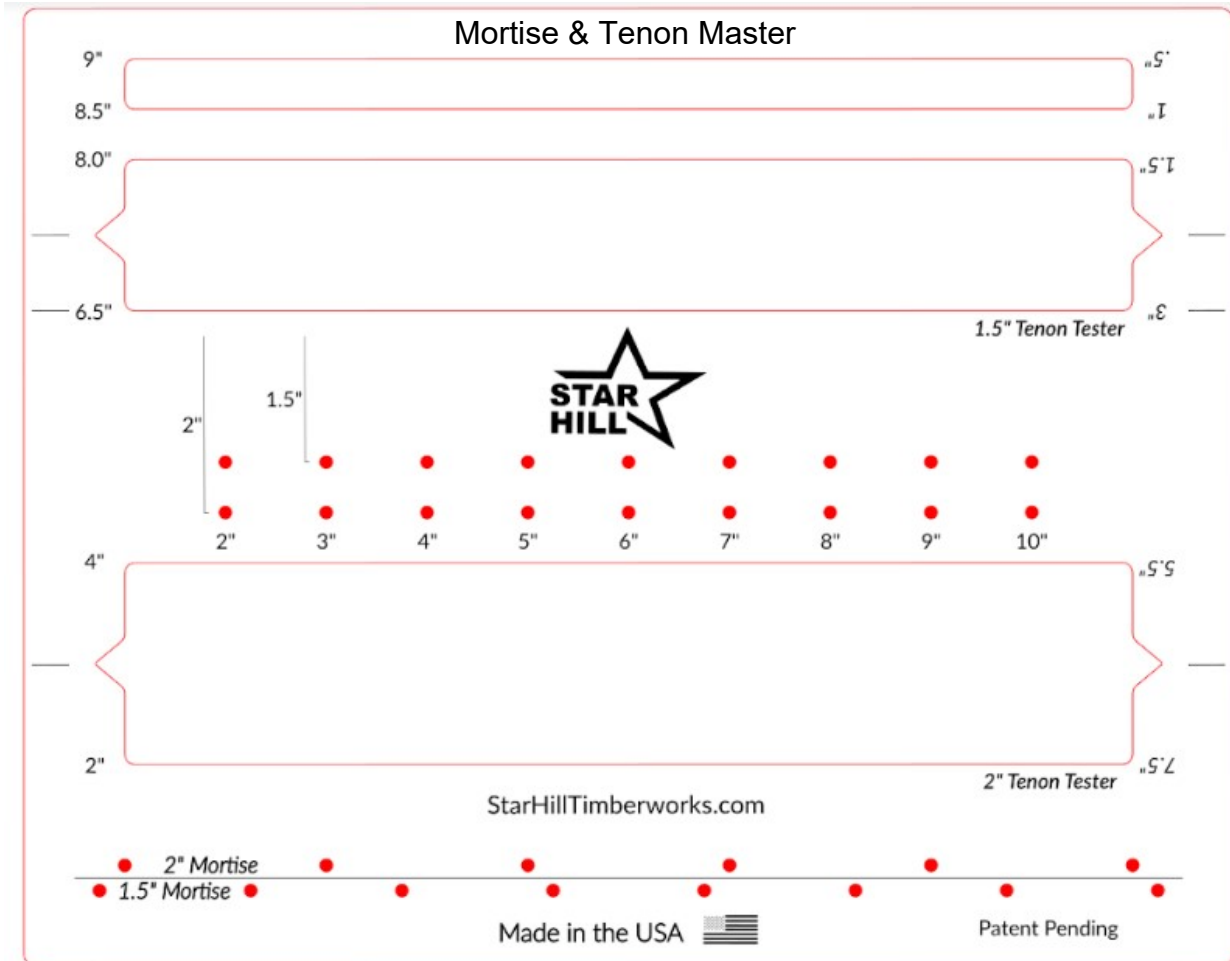
**StarHillTimberworks.com**

Patent Pending



Copyright 2023  
Star Hill Timberworks LLC

**Mortise and Tenon Master**  
User Guide



**General Use Instruction:** For each layout function, determine and mark the starts and stops for the joinery. Then, align the reference edge, snap line, or center line to the Mortise & Tenon Master (long edge or V-groove); mark your start and stop lines perpendicular to the timber.



Purchase Your Mortise & Tenon Master  
<https://www.starhilltimberworks.com>



Workshops. Tools. Consulting. Design.

[www.StarHillTimberworks.com](http://www.StarHillTimberworks.com)

# Table of Contents

Page #	Function
3	1 1/2" Mortise Layout
4	2" Mortise Layout
5	1 1/2" Center Line Mortise Layout
6	2" Center Line Mortise Layout
7	1 1/2" Snap Line Mortise Layout
8	2" Snap Line Mortise Layout
9-10	1 1/2" Tenon & Shoulder Checker
11-12	2" Tenon & Shoulder Checker
13-14	1 1/2" & 2" Boring Machine/Drill Holes
15-16	Peg Holes 1 1/2" & 2" Off Housing
17	9 1/2" Housing
18	9" Housing
19	8 1/2" Housing
20	8" Housing
21	7 1/2" Housing
22	7" Housing
23	6 1/2" Housing
24	6" Housing
25	5 1/2" Housing
26	5" Housing
27	4 1/2" Housing
28	1/2" Housing
29	1 1/2" Tenon Layout
30	2" Tenon Layout
31	1 1/2" Center Line Tenon Layout
32	2" Center Line Tenon Layout
33	1 1/2" Snap Line Tenon Layout
34	2" Snap Line Tenon Layout



Purchase Your Mortise & Tenon Master  
<https://www.starhilltimberworks.com>



Workshops. Tools. Consulting. Design.

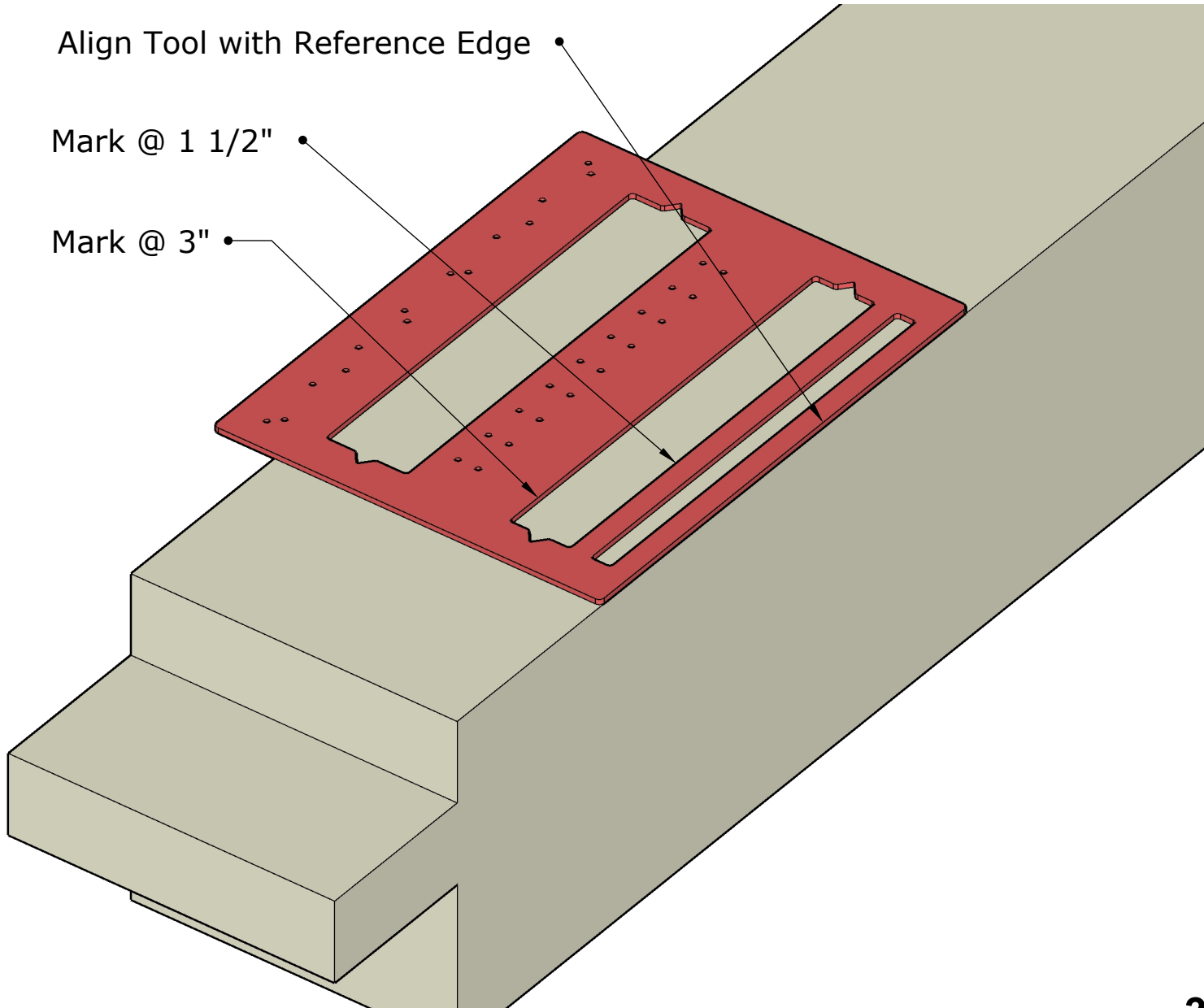
[www.StarHillTimberworks.com](http://www.StarHillTimberworks.com)

# 1 1/2" Mortise Layout

Align Tool with Reference Edge

Mark @ 1 1/2"

Mark @ 3"



Purchase Your Mortise & Tenon Master  
<https://www.starhilltimberworks.com>

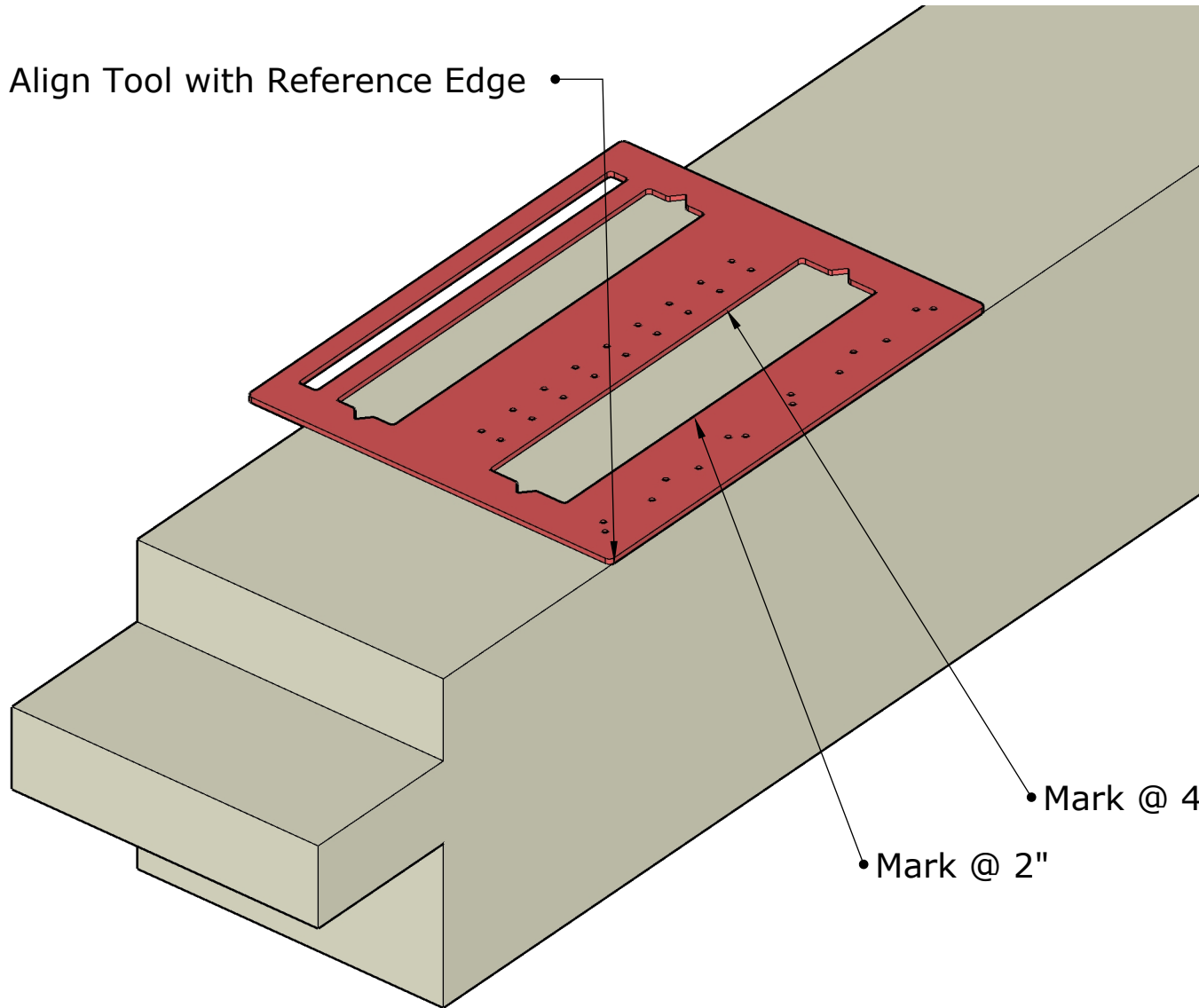


Workshops. Tools. Consulting. Design.

[www.StarHillTimberworks.com](http://www.StarHillTimberworks.com)

# 2" Mortise Layout

Align Tool with Reference Edge



• Mark @ 4"

• Mark @ 2"



Purchase Your Mortise & Tenon Master  
<https://www.starhilltimberworks.com>

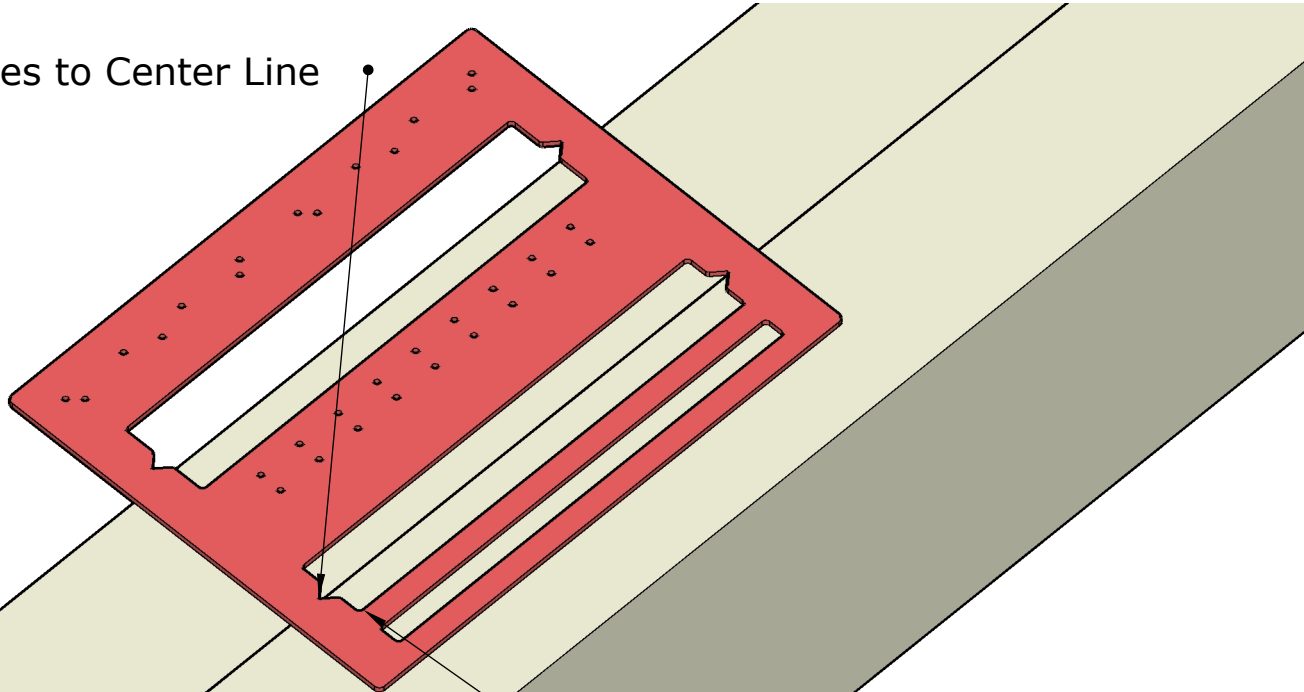


Workshops. Tools. Consulting. Design.

[www.StarHillTimberworks.com](http://www.StarHillTimberworks.com)

# 1 1/2" Centerline Mortise Layout

Align Notches to Center Line



• Mark the Edges



Purchase Your Mortise & Tenon Master  
<https://www.starhilltimberworks.com>

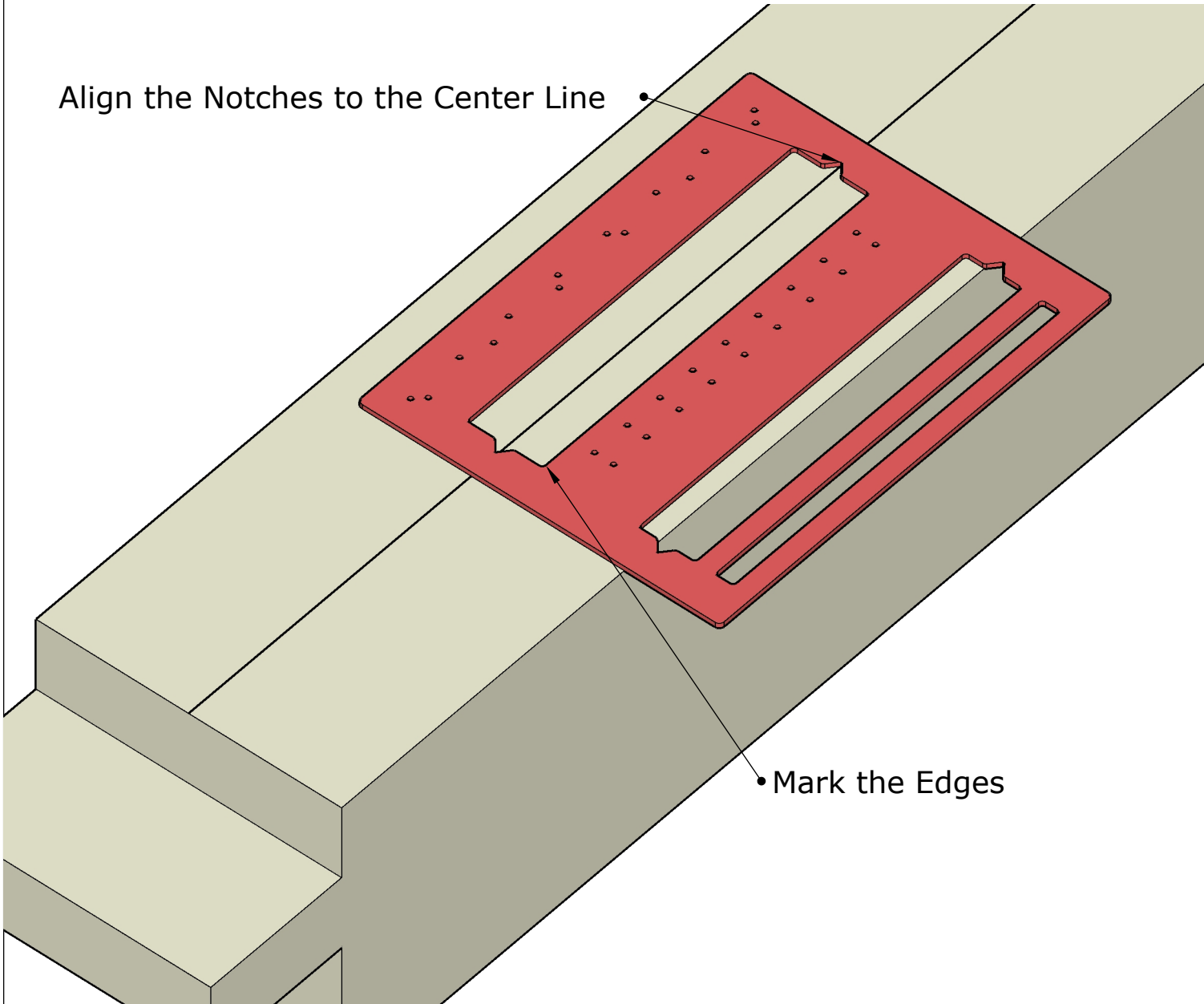


Workshops. Tools. Consulting. Design.

[www.StarHillTimberworks.com](http://www.StarHillTimberworks.com)

# 2" Centerline Mortise Layout

Align the Notches to the Center Line



Mark the Edges

Mortise and Tenon Master  
User Guide



Purchase Your Mortise & Tenon Master  
<https://www.starhilltimberworks.com>



Workshops. Tools. Consulting. Design.

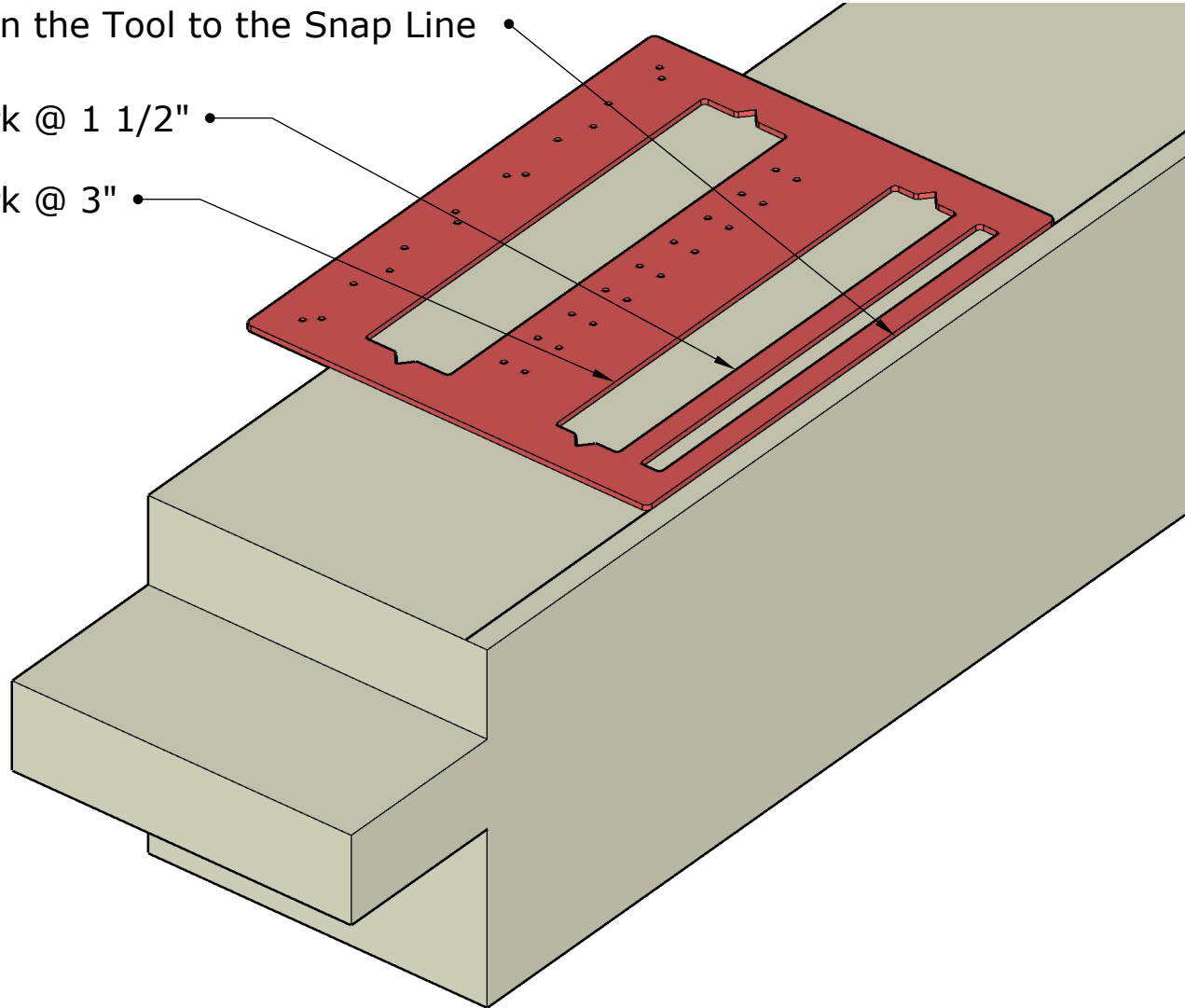
[www.StarHillTimberworks.com](http://www.StarHillTimberworks.com)

# 1 1/2" Snap Line Mortise Layout

Align the Tool to the Snap Line

Mark @ 1 1/2"

Mark @ 3"



Purchase Your Mortise & Tenon Master  
<https://www.starhilltimberworks.com>



Workshops. Tools. Consulting. Design.

[www.StarHillTimberworks.com](http://www.StarHillTimberworks.com)

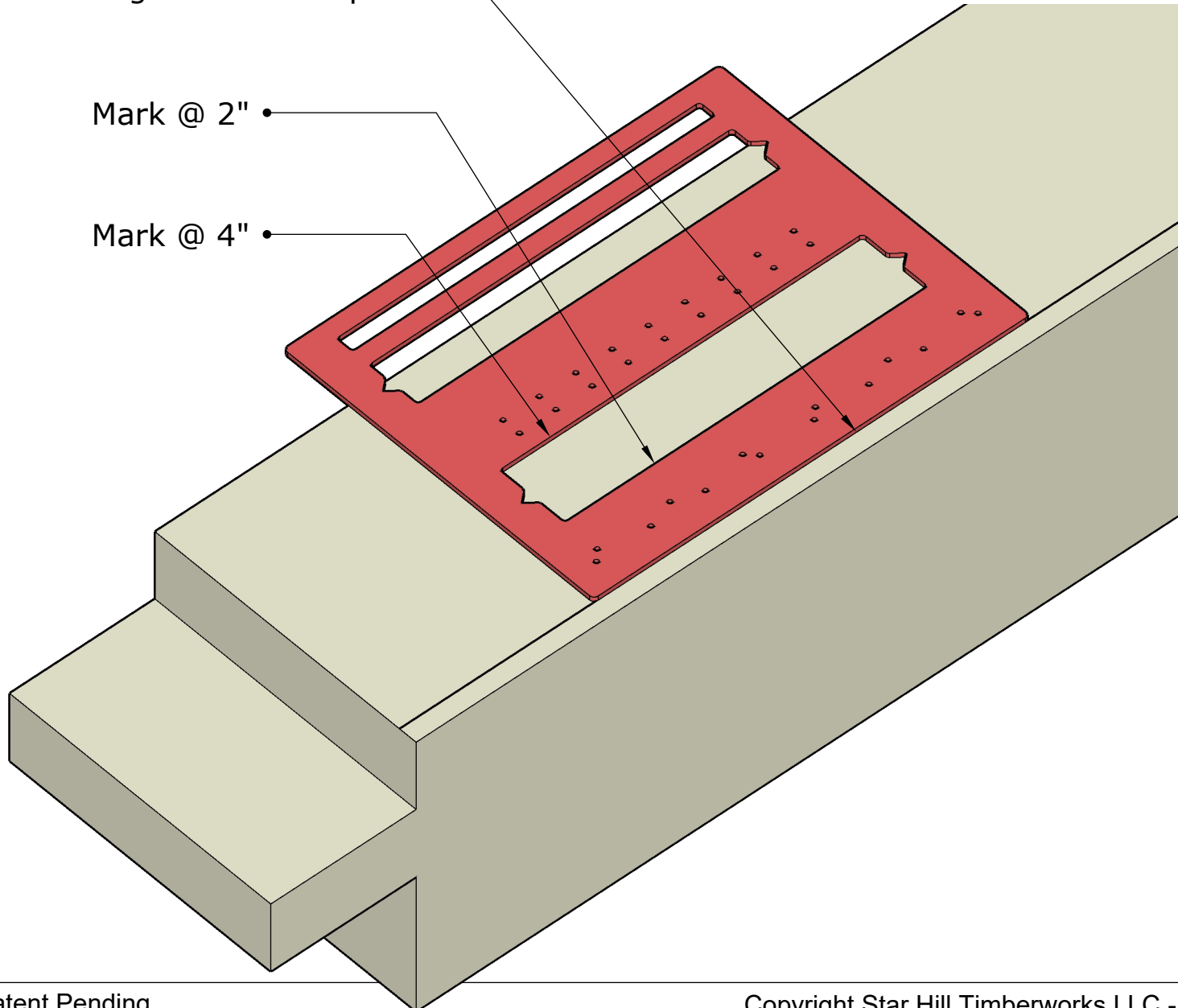


# 2" Snap Line Mortise Layout

Align Tool to Snap Line

Mark @ 2"

Mark @ 4"



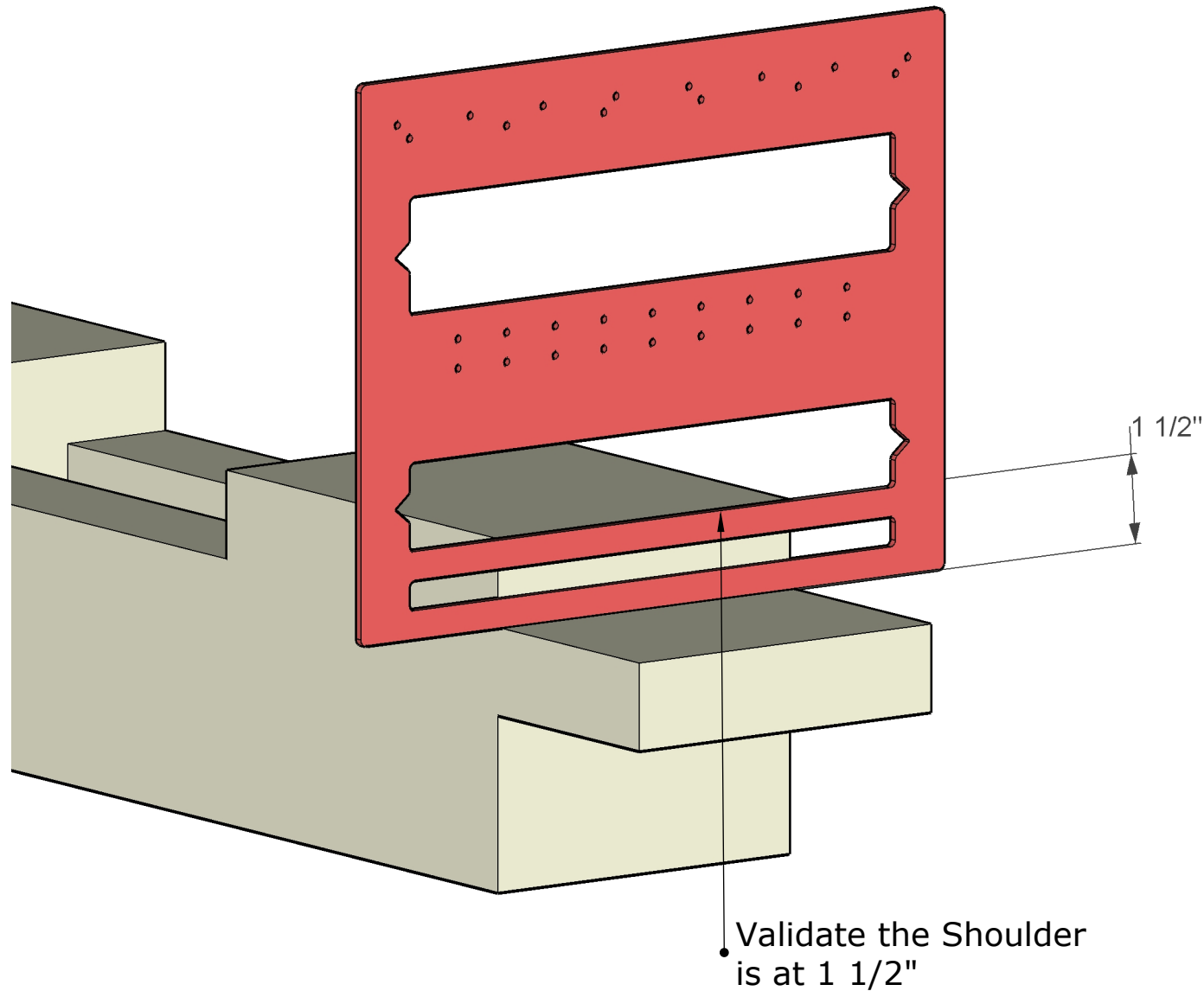
Purchase Your Mortise & Tenon Master  
<https://www.starhilltimberworks.com>



Workshops. Tools. Consulting. Design.

[www.StarHillTimberworks.com](http://www.StarHillTimberworks.com)

# 1 1/2" Tenon Checker (Page 1 of 2)



## Mortise and Tenon Master User Guide



Purchase Your Mortise & Tenon Master  
<https://www.starhilltimberworks.com>

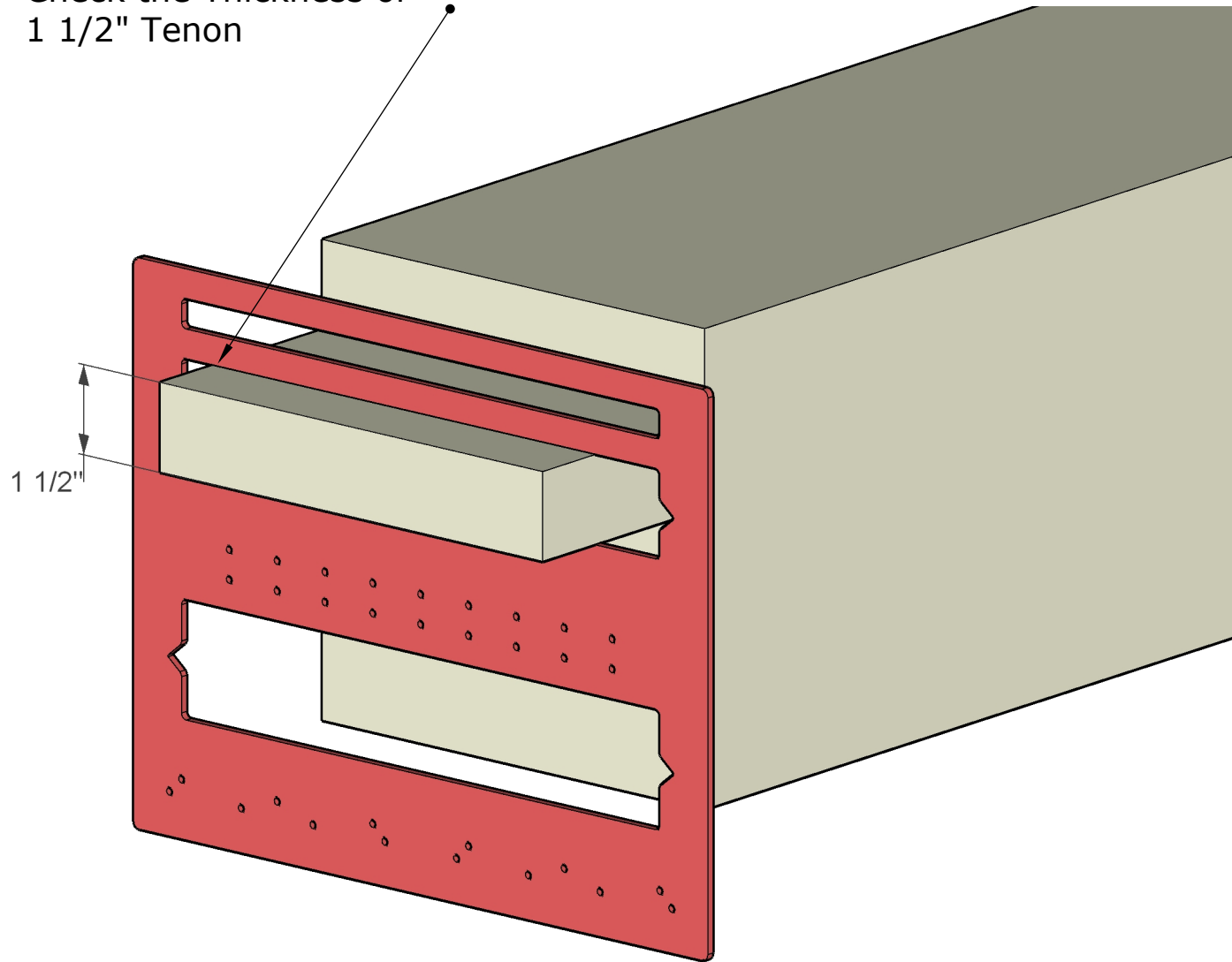


Workshops. Tools. Consulting. Design.

[www.StarHillTimberworks.com](http://www.StarHillTimberworks.com)

# 1 1/2" Tenon Checker (Page 2 of 2)

Check the Thickness of  
1 1/2" Tenon

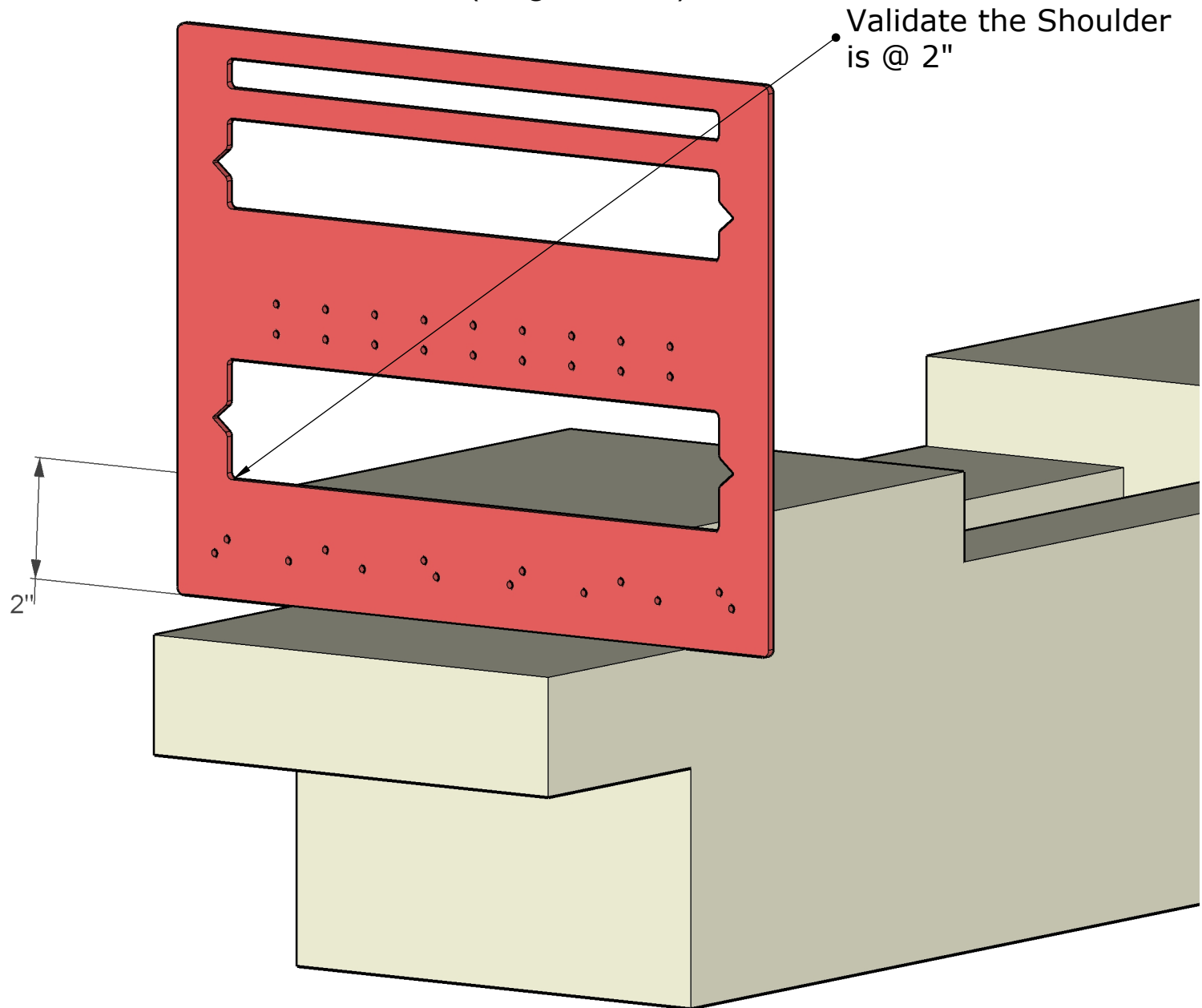


Purchase Your Mortise & Tenon Master  
<https://www.starhilltimberworks.com>



Workshops. Tools. Consulting. Design.

# 2" Tenon Checker (Page 1 of 2)



Mortise and Tenon Master  
User Guide



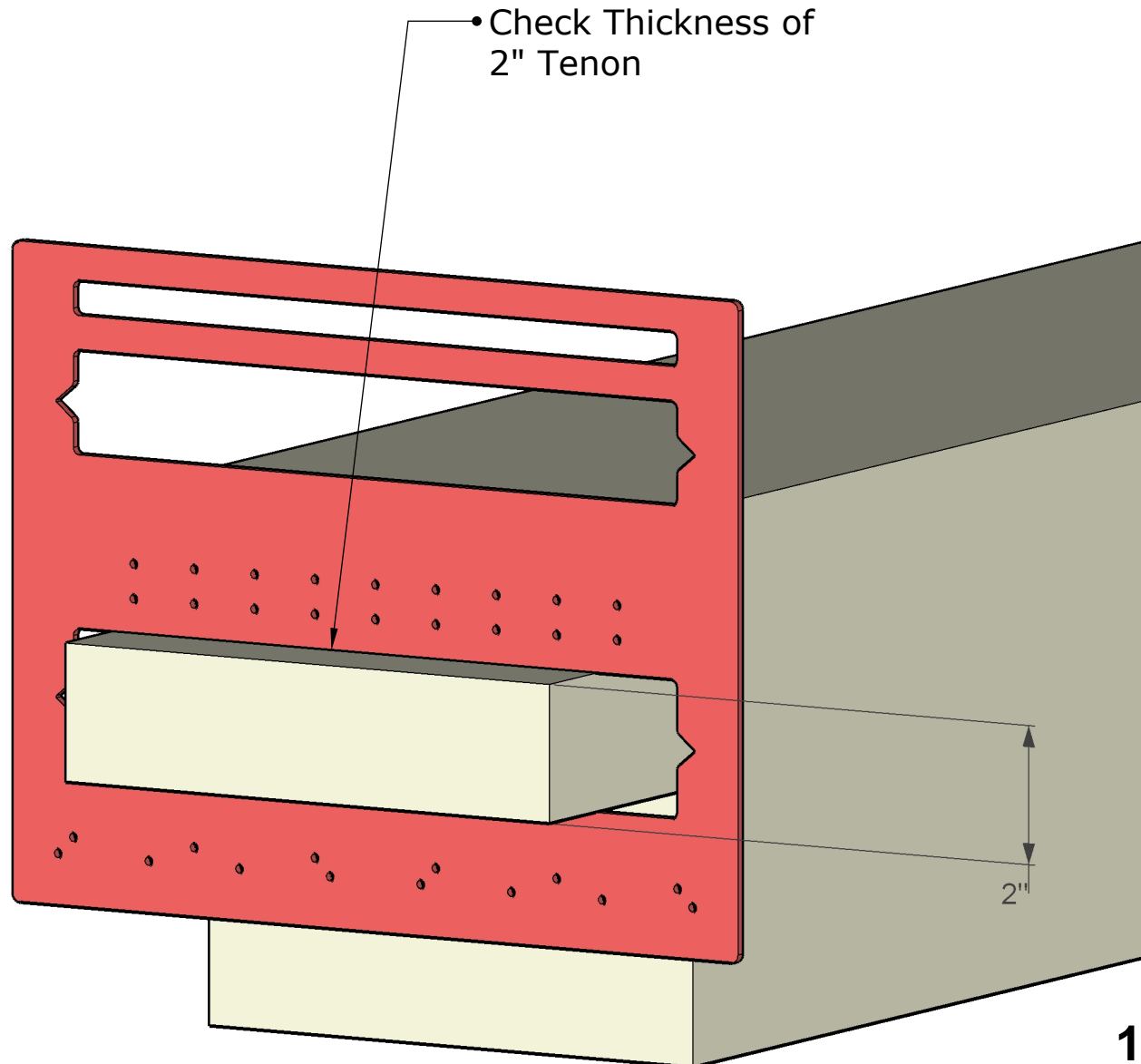
Purchase Your Mortise & Tenon Master  
<https://www.starhilltimberworks.com>



Workshops. Tools. Consulting. Design.

[www.StarHillTimberworks.com](http://www.StarHillTimberworks.com)

# 2" Tenon Checker (Page 2 of 2)



Purchase Your Mortise & Tenon Master  
<https://www.starhilltimberworks.com>

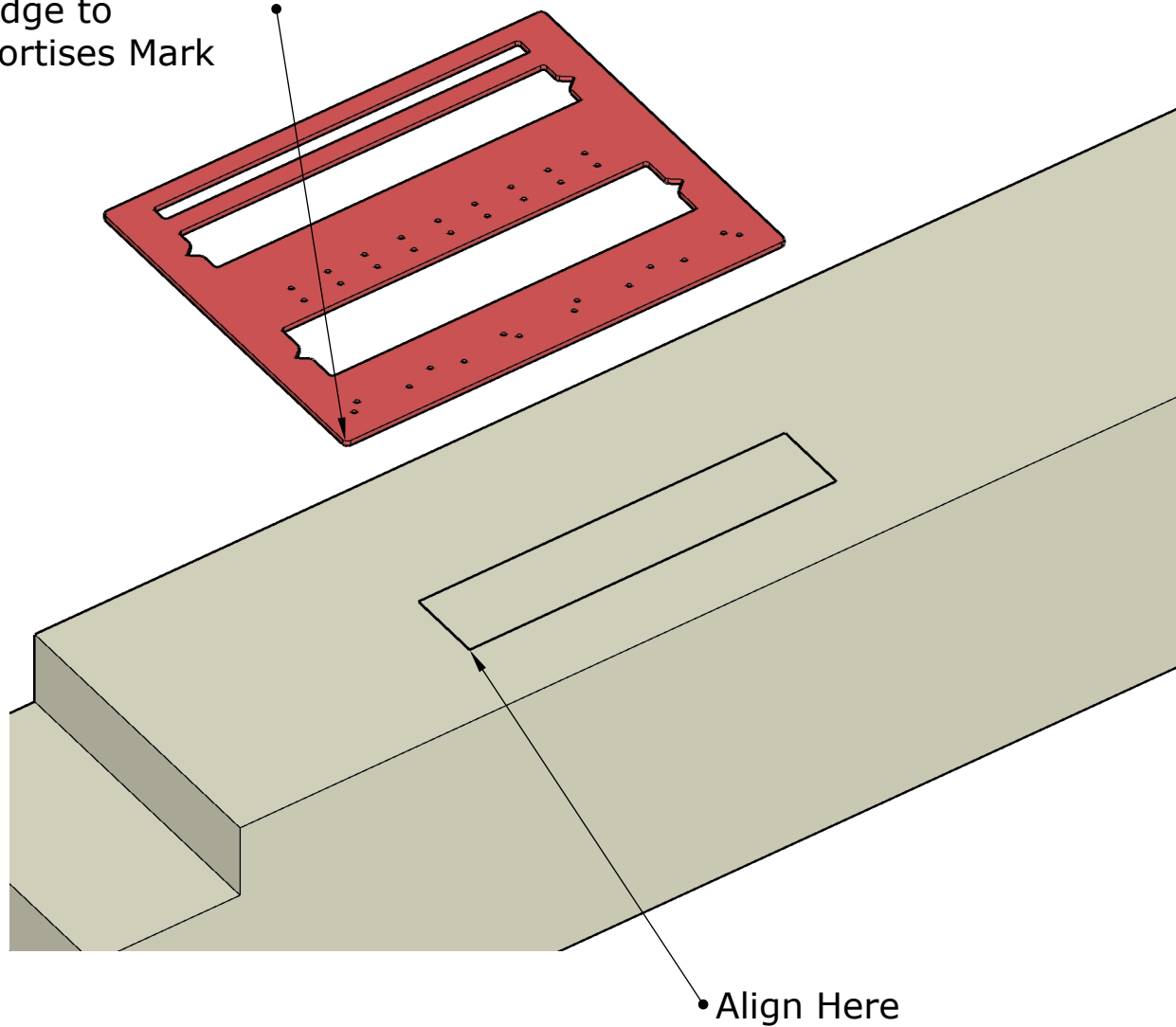


Workshops. Tools. Consulting. Design.

[www.StarHillTimberworks.com](http://www.StarHillTimberworks.com)

# 1 1/2" & 2" Boring Machine/Drill Holes (Page 1 of 2)

Align Lower Edge &  
Left Edge to  
the Mortises Mark



**Mortise and Tenon Master**  
User Guide



Purchase Your Mortise & Tenon Master  
<https://www.starhilltimberworks.com>



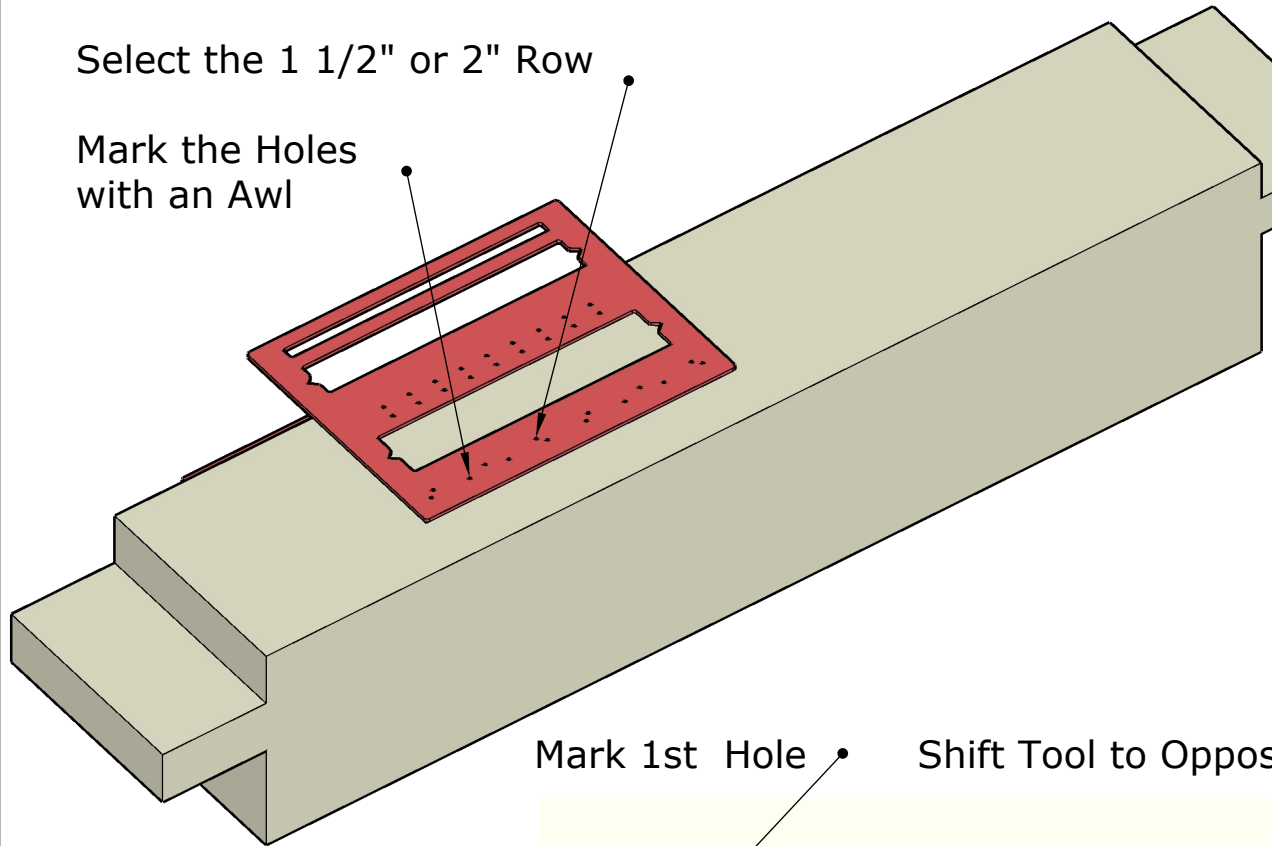
Workshops. Tools. Consulting. Design.

[www.StarHillTimberworks.com](http://www.StarHillTimberworks.com)

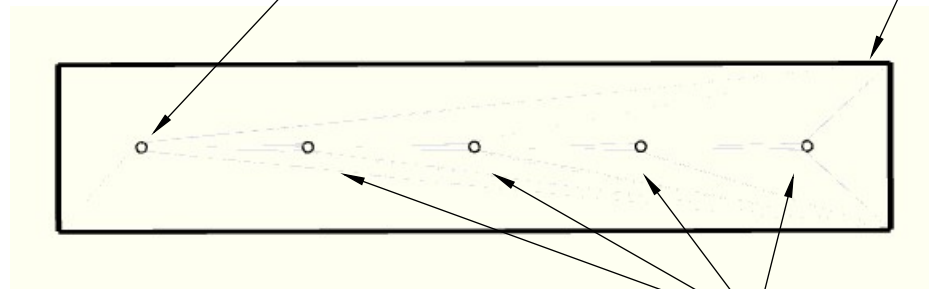
# 1 1/2" & 2" Boring Machine/Drill Holes (Page 2 of 2)

Select the 1 1/2" or 2" Row

Mark the Holes with an Awl



Mark 1st Hole      Shift Tool to Opposite End



Mark Remaining Holes



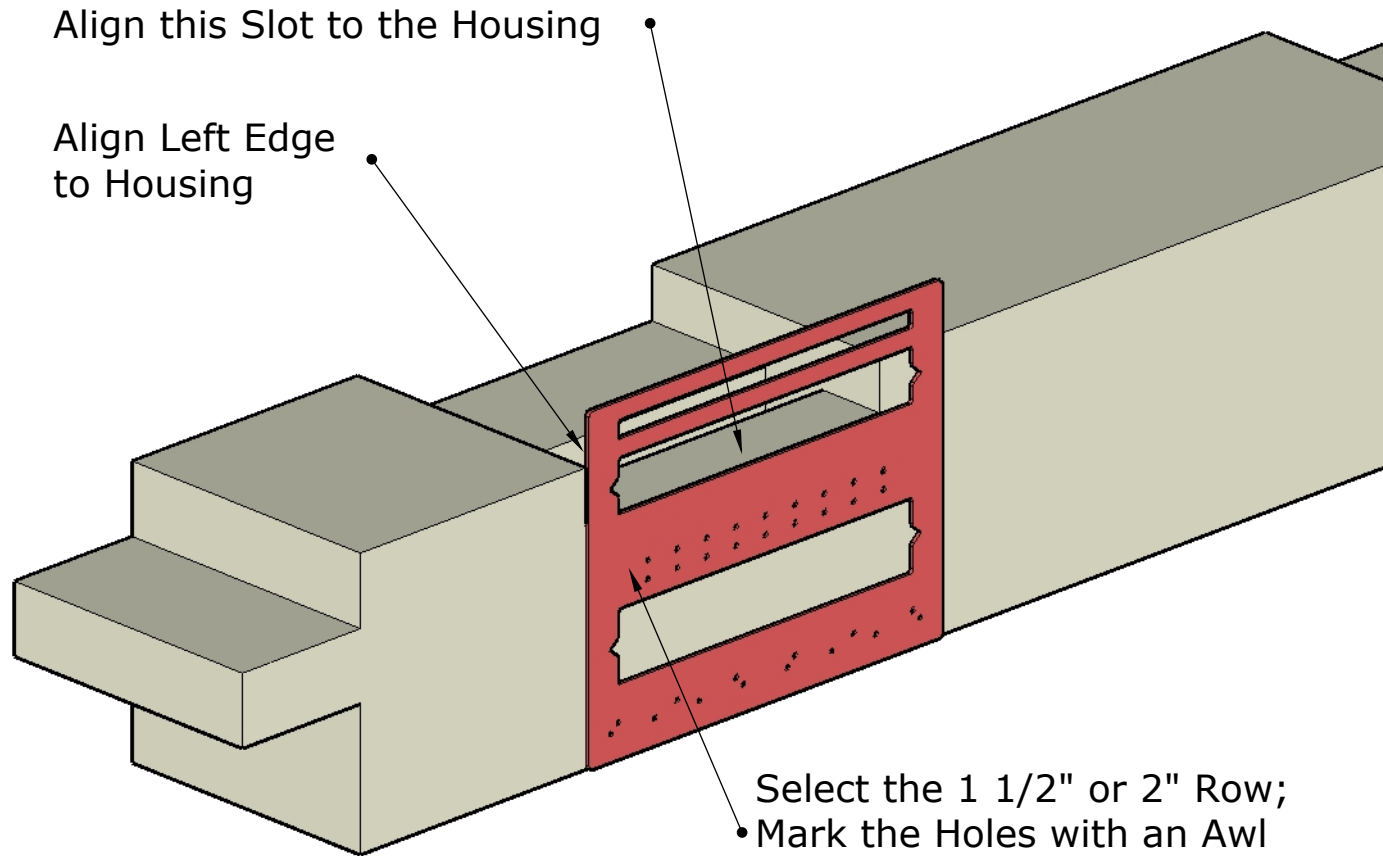
Purchase Your Mortise & Tenon Master

<https://www.starhilltimberworks.com>



Workshops. Tools. Consulting. Design.

# Peg Holes 1 1/2" & 2" Off Housing (Page 1 of 2)



The 1st hole is offset 2", the other holes are at 1" intervals

Mortise and Tenon Master  
User Guide



Purchase Your Mortise & Tenon Master  
<https://www.starhilltimberworks.com>



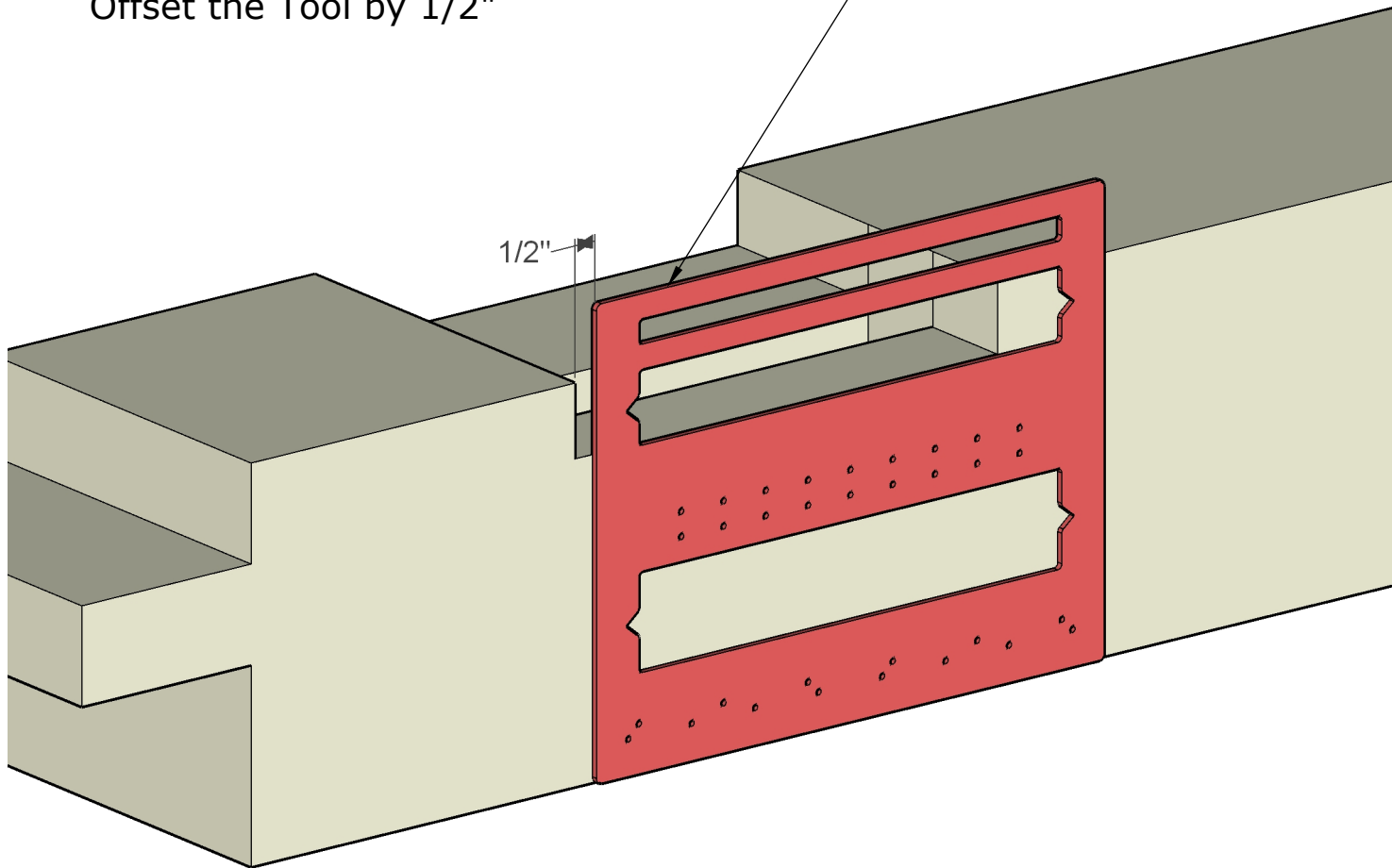
Workshops. Tools. Consulting. Design.

[www.StarHillTimberworks.com](http://www.StarHillTimberworks.com)



# Peg Holes 1 1/2" & 2" Off Housing (Page 2 of 2)

If you need peg holes at 1/2" Increments  
Offset the Tool by 1/2"



**Mortise and Tenon Master**  
User Guide

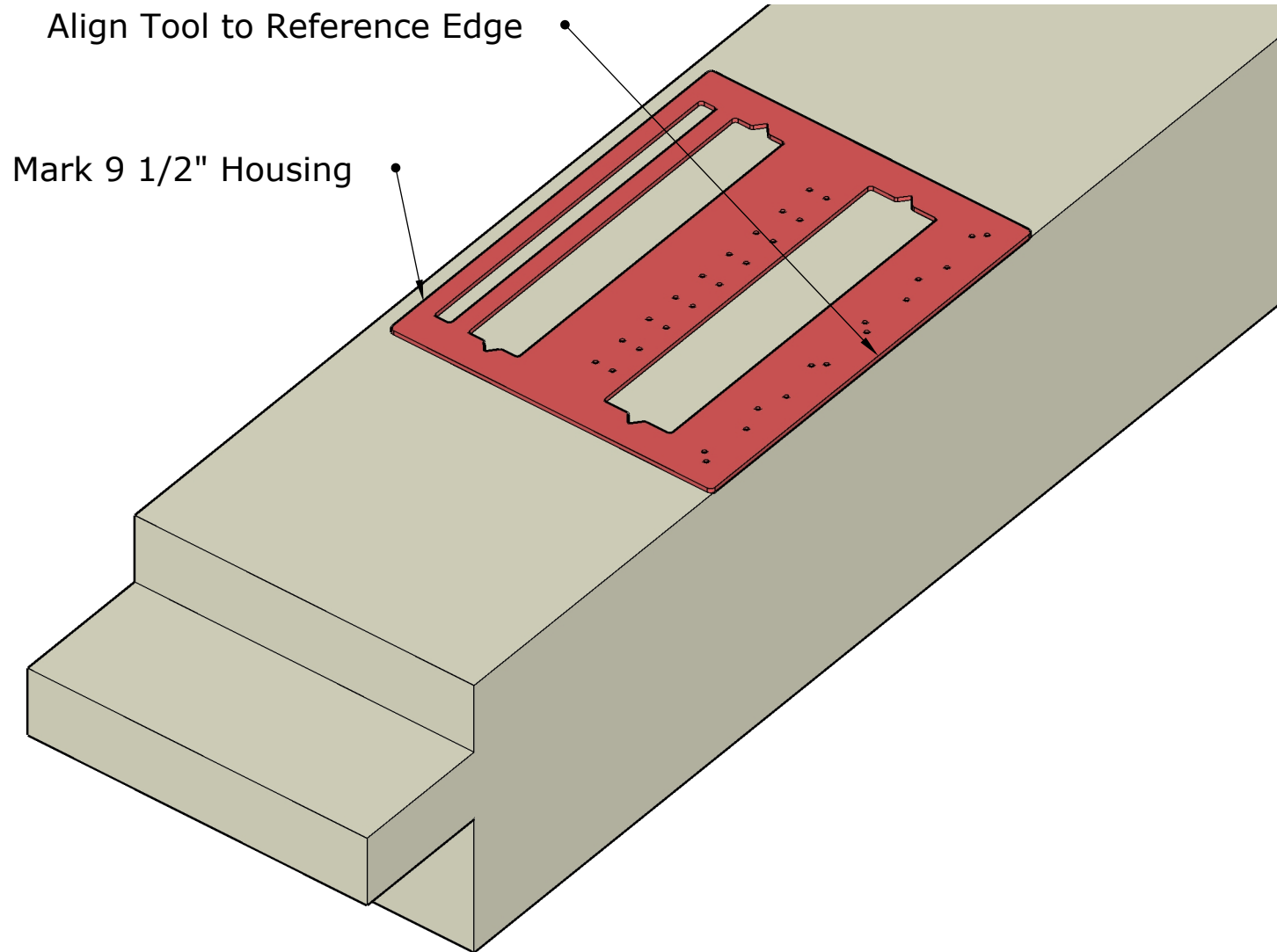


Purchase Your Mortise & Tenon Master  
<https://www.starhilltimberworks.com>



Workshops. Tools. Consulting. Design.

# 9 1/2" Housing



Purchase Your Mortise & Tenon Master  
<https://www.starhilltimberworks.com>

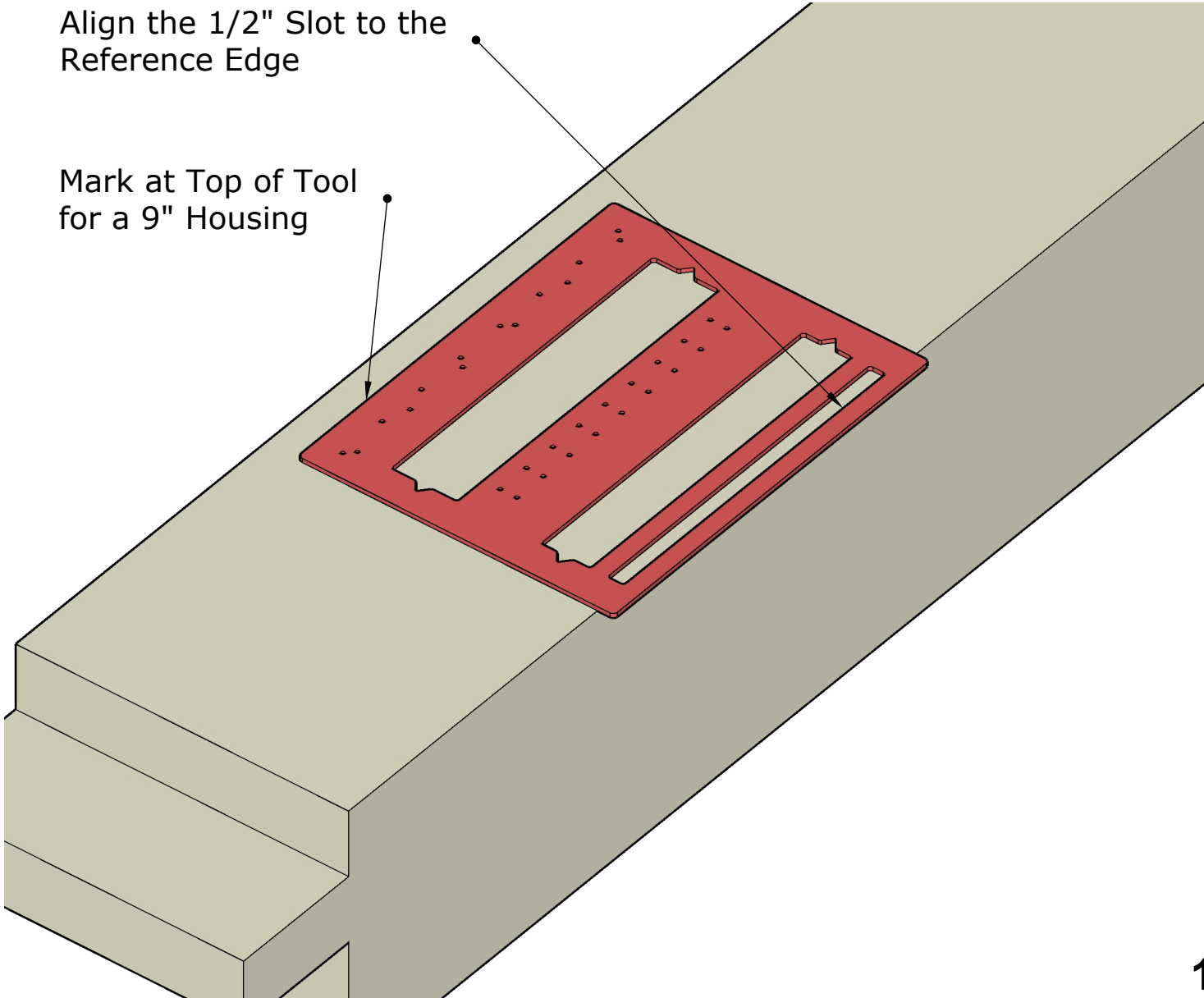


Workshops. Tools. Consulting. Design.

# 9" Housing

Align the 1/2" Slot to the Reference Edge

Mark at Top of Tool for a 9" Housing



Purchase Your Mortise & Tenon Master  
<https://www.starhilltimberworks.com>

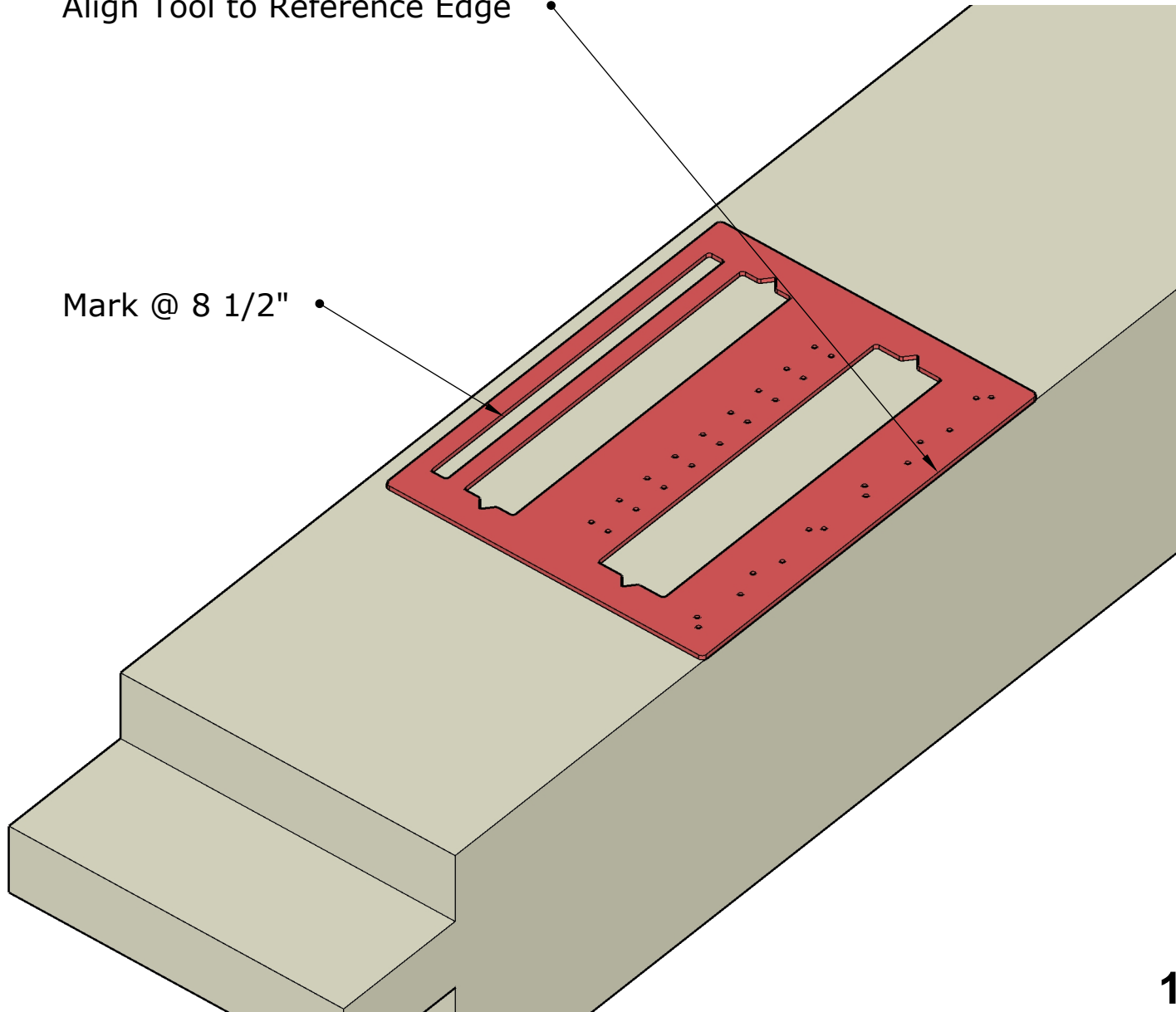


Workshops. Tools. Consulting. Design.

# 8 1/2" Housing

Align Tool to Reference Edge

Mark @ 8 1/2"



Purchase Your Mortise & Tenon Master  
<https://www.starhilltimberworks.com>



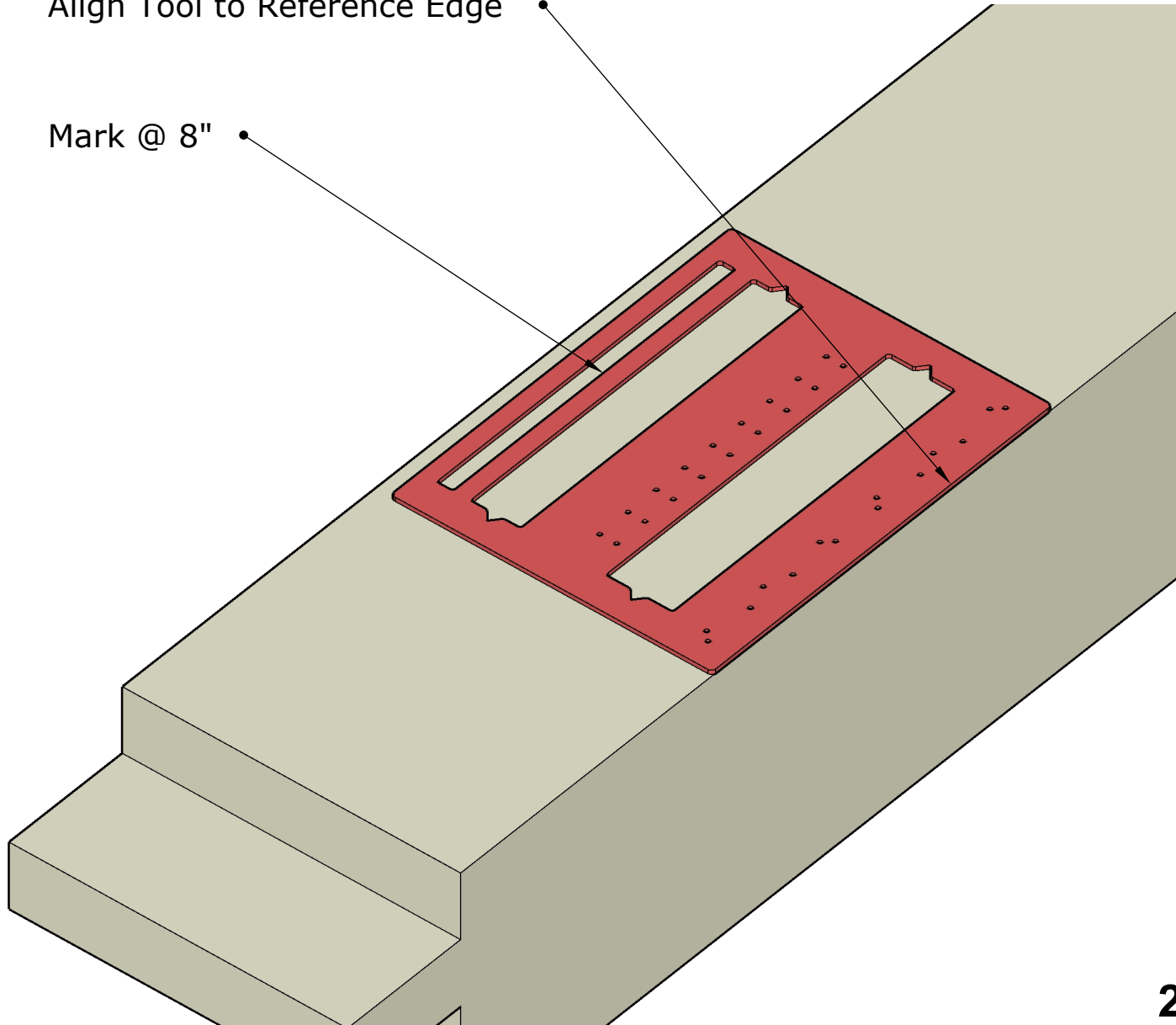
Workshops. Tools. Consulting. Design.

[www.StarHillTimberworks.com](http://www.StarHillTimberworks.com)

# 8" Housing

Align Tool to Reference Edge

Mark @ 8"



Purchase Your Mortise & Tenon Master  
<https://www.starhilltimberworks.com>

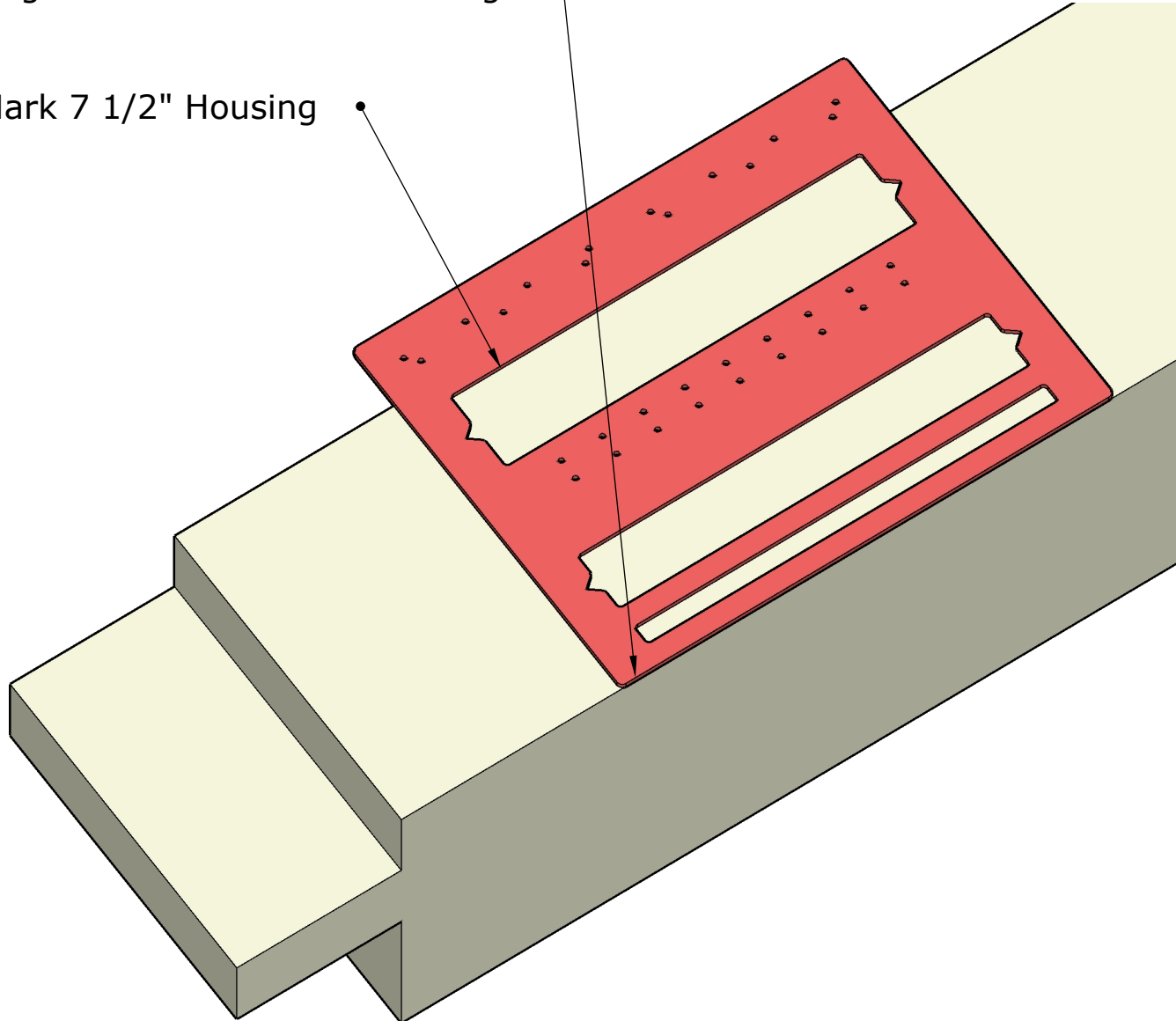


Workshops. Tools. Consulting. Design.

# 7 1/2" Housing

Align Tool to the Reference Edge

Mark 7 1/2" Housing

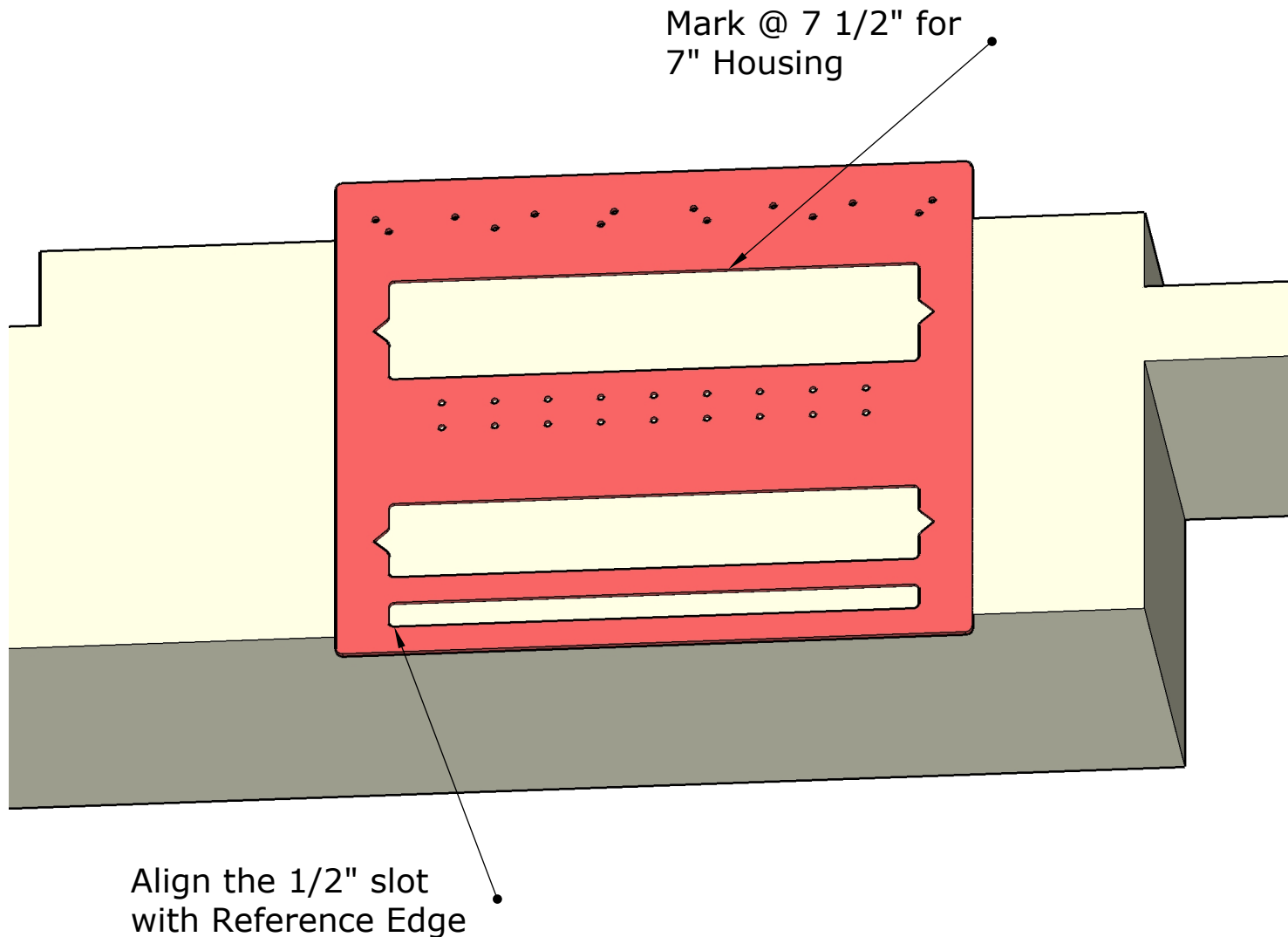


Purchase Your Mortise & Tenon Master  
<https://www.starhilltimberworks.com>



Workshops. Tools. Consulting. Design.

# 7" Housing



Purchase Your Mortise & Tenon Master  
<https://www.starhilltimberworks.com>



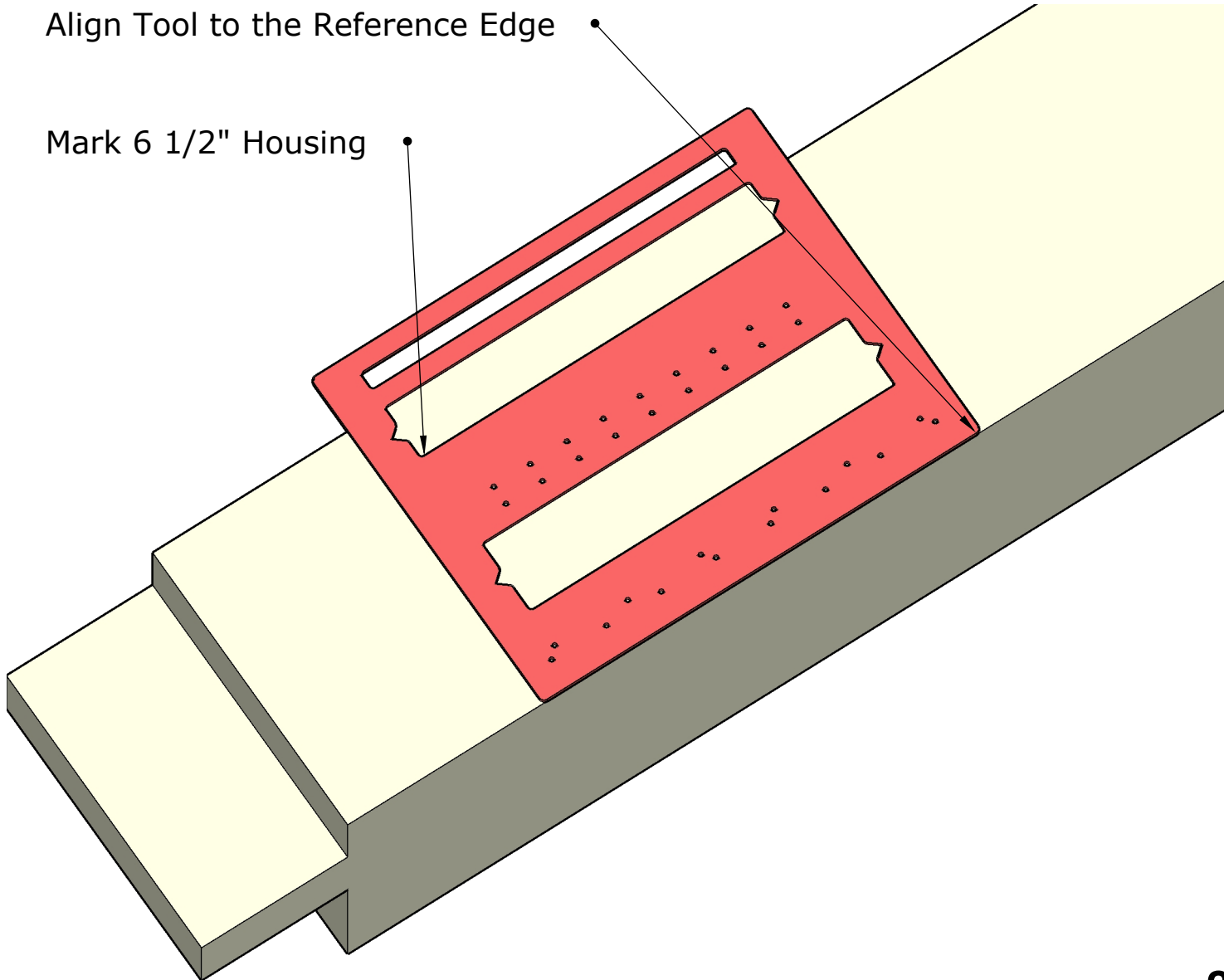
Workshops. Tools. Consulting. Design.

[www.StarHillTimberworks.com](http://www.StarHillTimberworks.com)

# 6 1/2" Housing

Align Tool to the Reference Edge

Mark 6 1/2" Housing



Purchase Your Mortise & Tenon Master  
<https://www.starhilltimberworks.com>



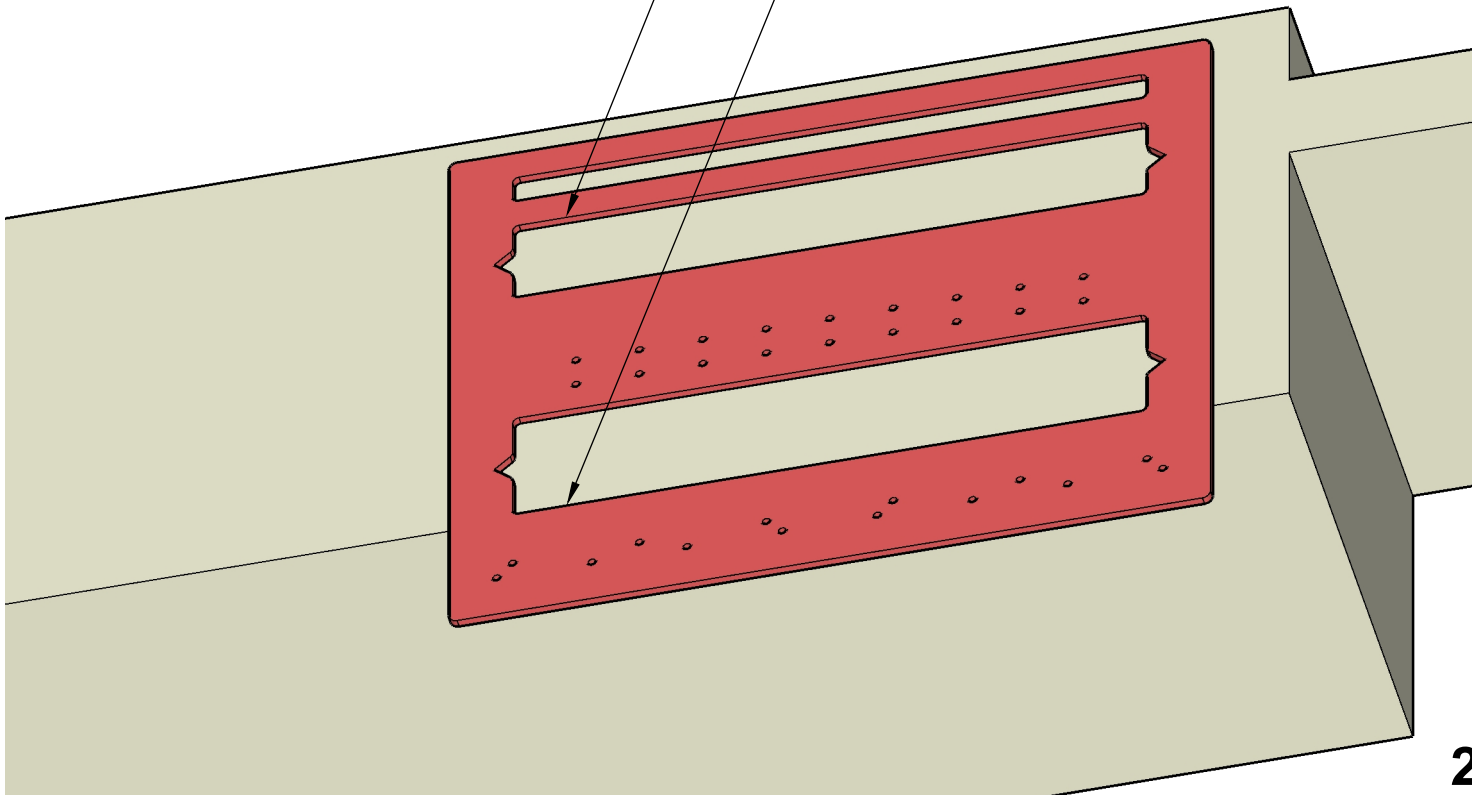
Workshops. Tools. Consulting. Design.



# 6" Housing

Align the 2" Slot with the Reference Edge

Mark @ 8" for a 6" Housing



Purchase Your Mortise & Tenon Master  
<https://www.starhilltimberworks.com>



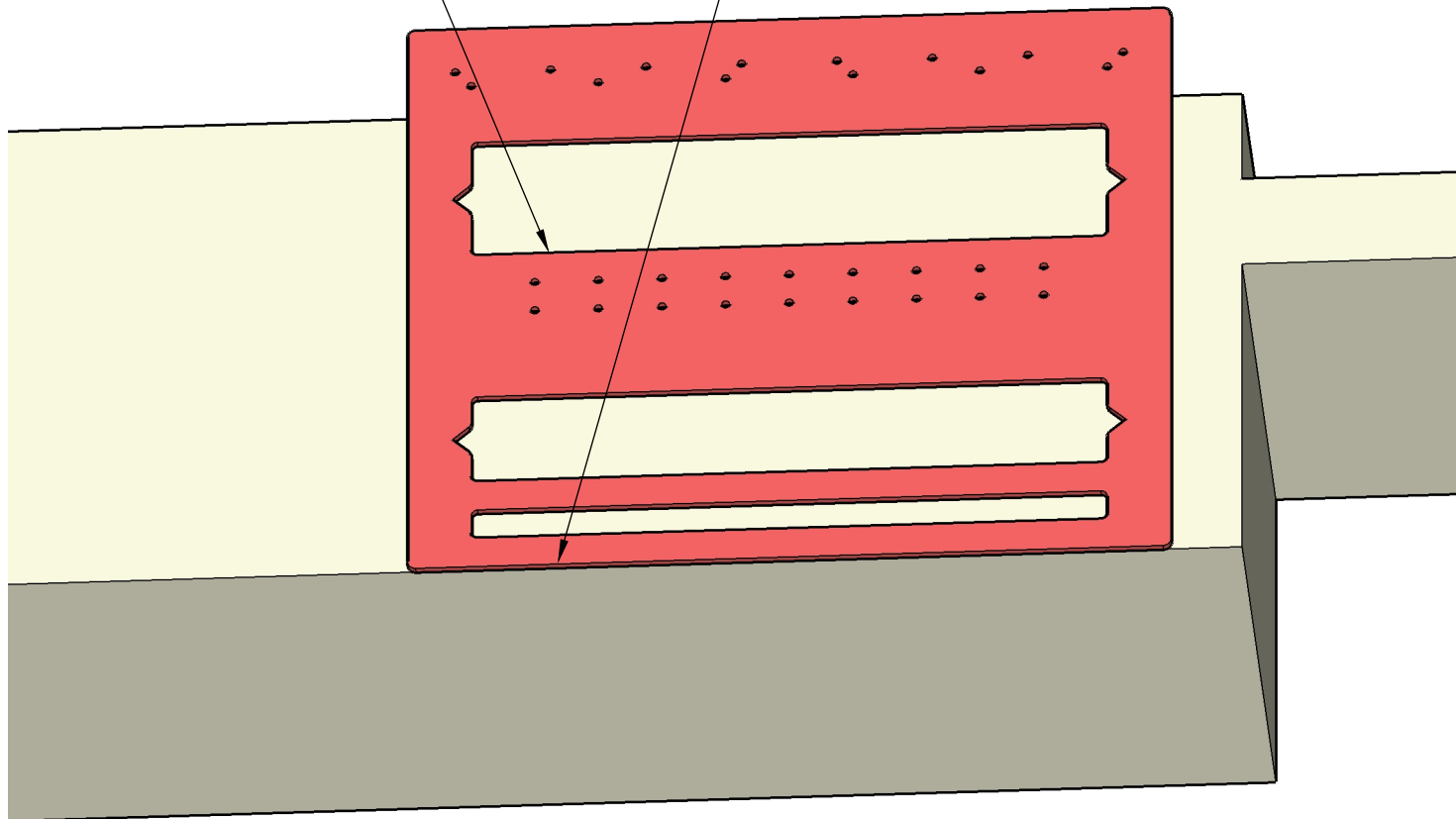
Workshops. Tools. Consulting. Design.

[www.StarHillTimberworks.com](http://www.StarHillTimberworks.com)

# 5 1/2" Housing

Align the Tool to the Reference Edge

Mark @ 5 1/2"



Purchase Your Mortise & Tenon Master  
<https://www.starhilltimberworks.com>

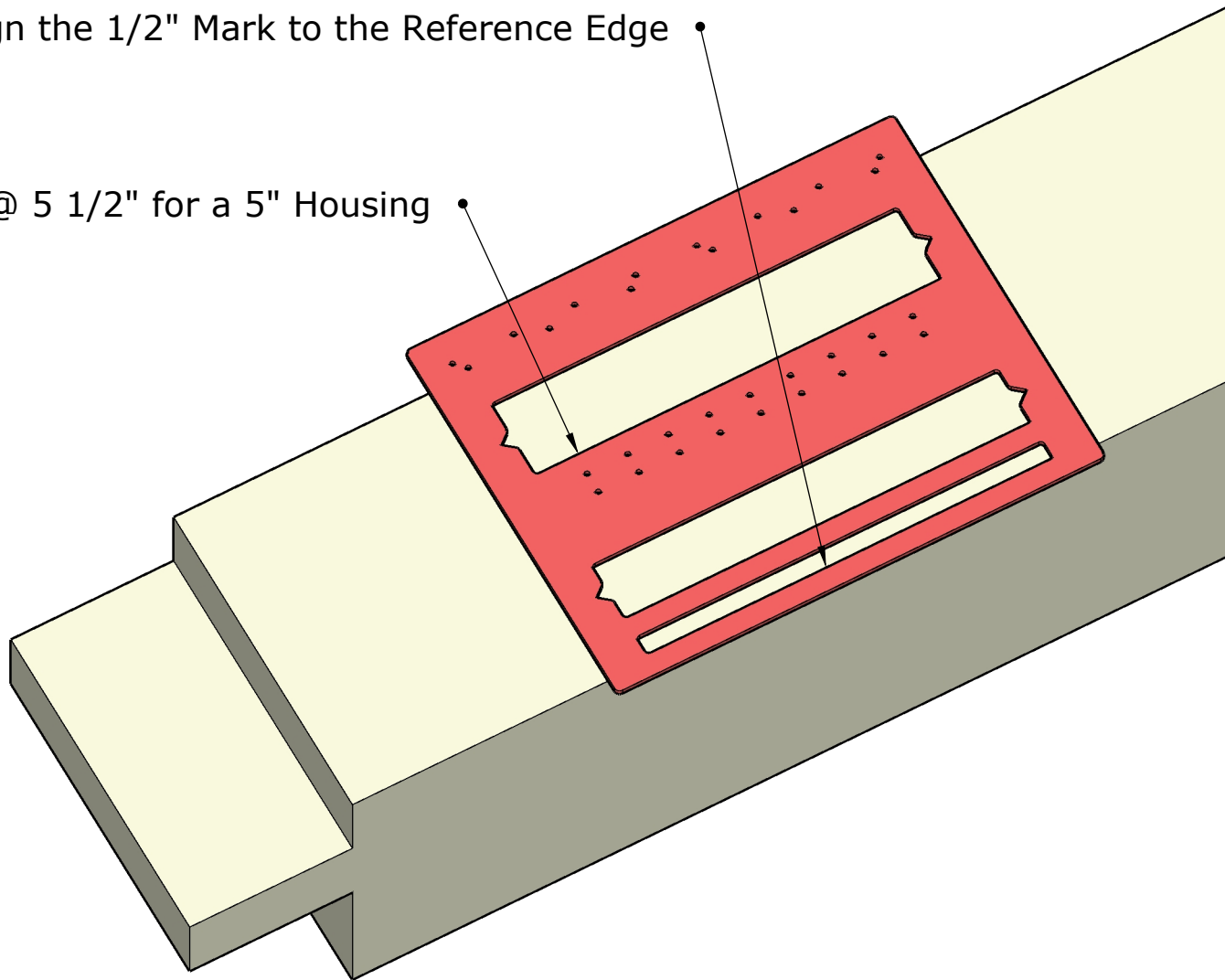


Workshops. Tools. Consulting. Design.

# 5" Housing

Align the 1/2" Mark to the Reference Edge

Mark @ 5 1/2" for a 5" Housing



Purchase Your Mortise & Tenon Master  
<https://www.starhilltimberworks.com>

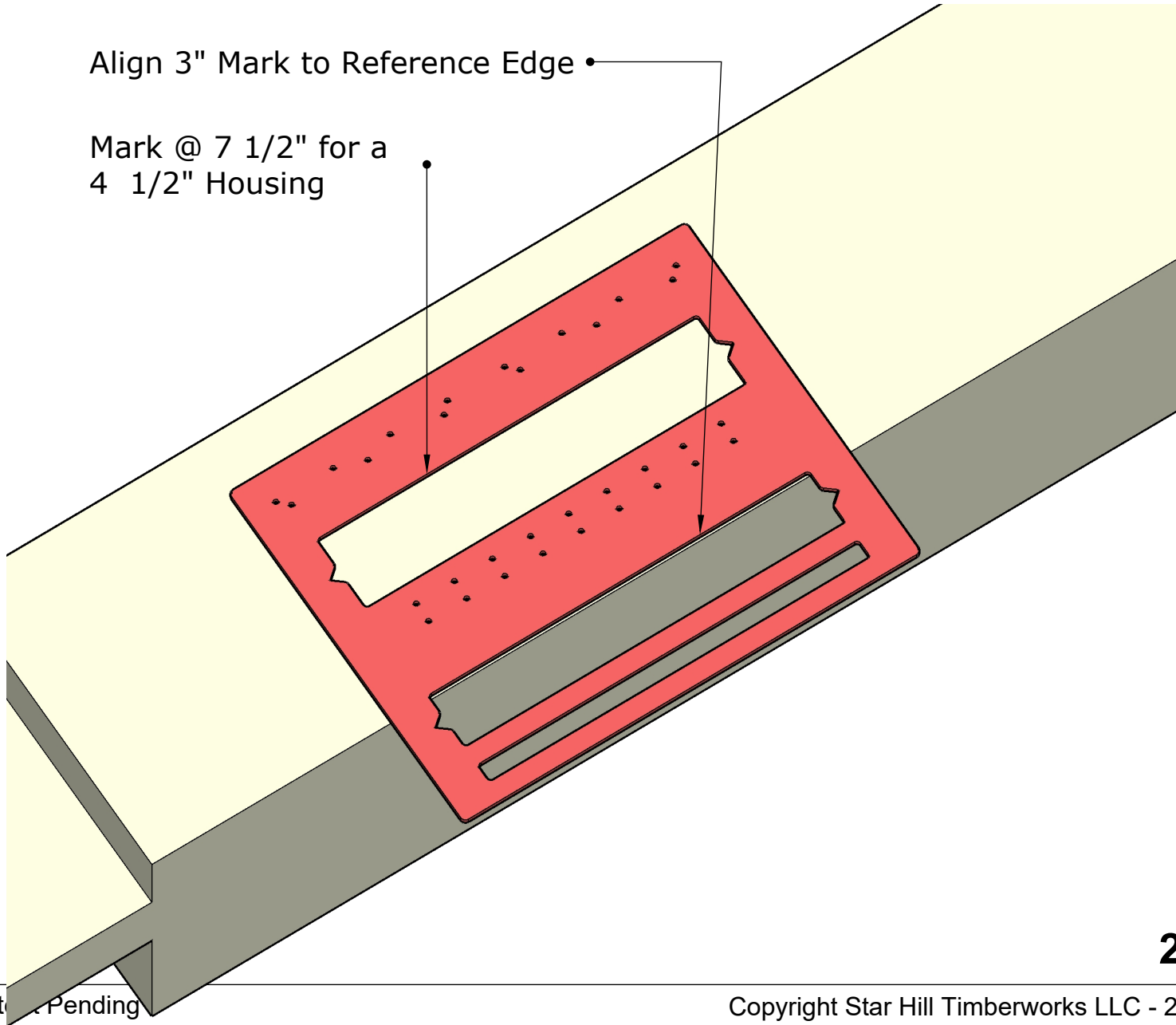


Workshops. Tools. Consulting. Design.

# 4 1/2" Housing

Align 3" Mark to Reference Edge

Mark @ 7 1/2" for a  
4 1/2" Housing



Purchase Your Mortise & Tenon Master  
<https://www.starhilltimberworks.com>



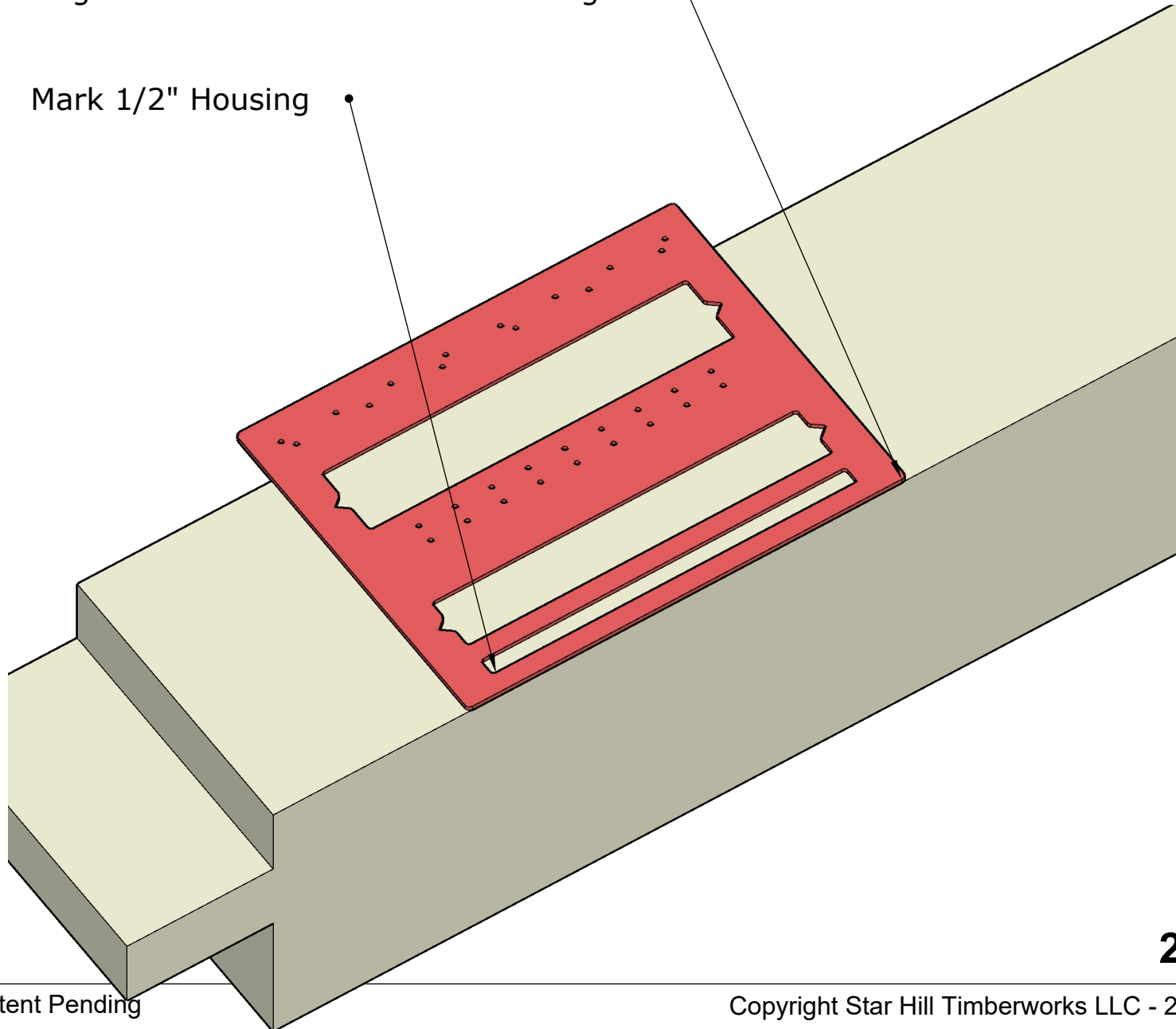
Workshops. Tools. Consulting. Design.

[www.StarHillTimberworks.com](http://www.StarHillTimberworks.com)

# 1/2" Housing

Align the Tool with the Reference Edge

Mark 1/2" Housing



Purchase Your Mortise & Tenon Master  
<https://www.starhilltimberworks.com>



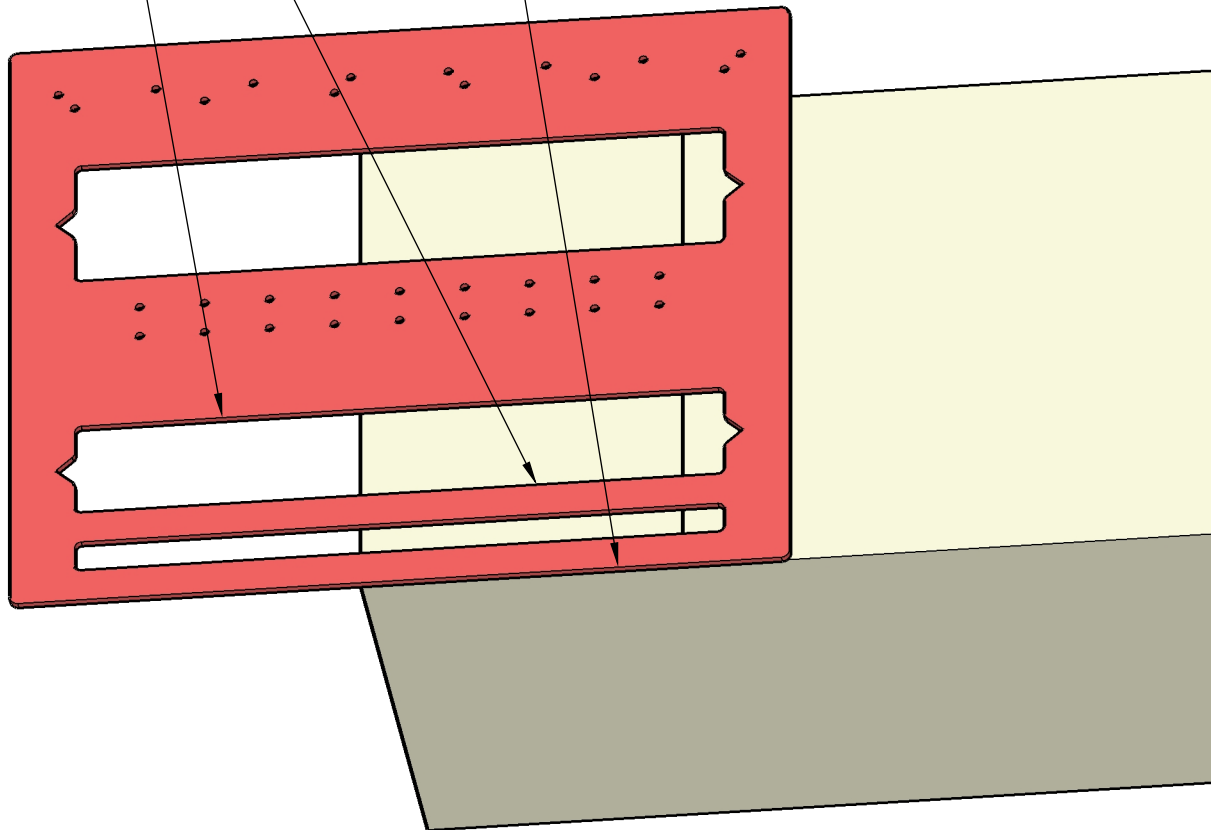
Workshops. Tools. Consulting. Design.

# 1 1/2" Tenon Layout

Align Tool to Reference Edge

Mark @ 1 1/2"

Mark @ 3"



Purchase Your Mortise & Tenon Master  
<https://www.starhilltimberworks.com>



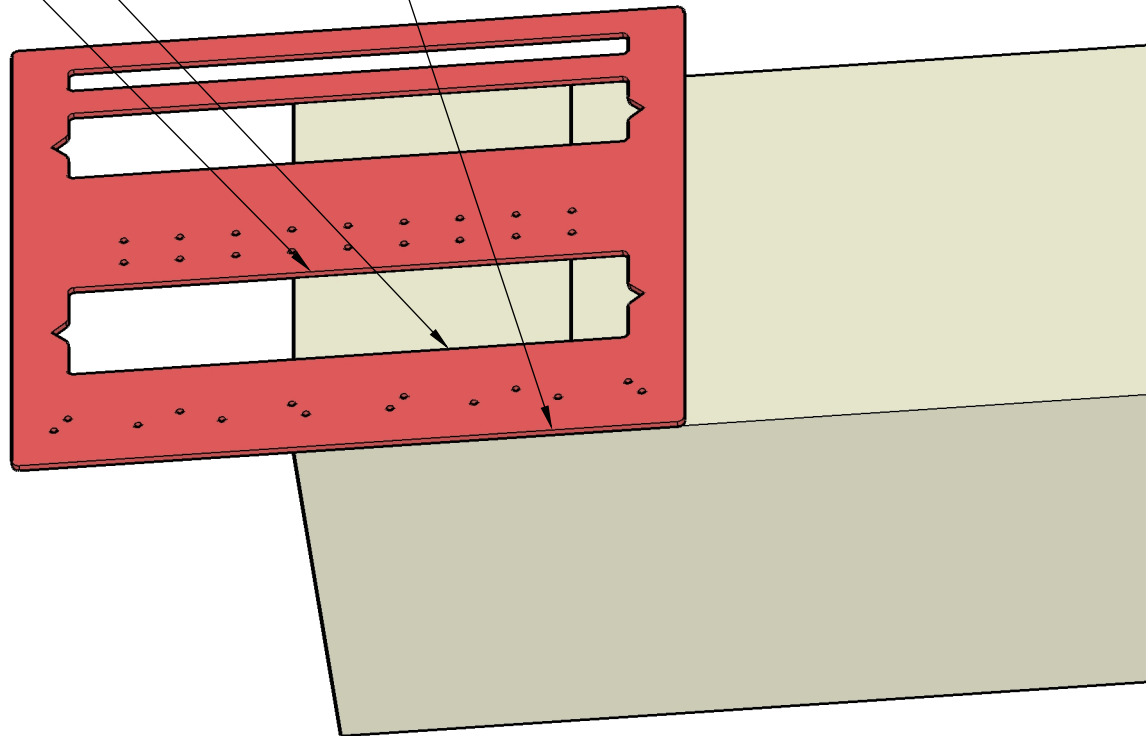
Workshops. Tools. Consulting. Design.

# 2" Tenon Layout

Align Tool to Reference Edge

Mark @ 2"

Mark @ 4"



Purchase Your Mortise & Tenon Master  
<https://www.starhilltimberworks.com>



Workshops. Tools. Consulting. Design.

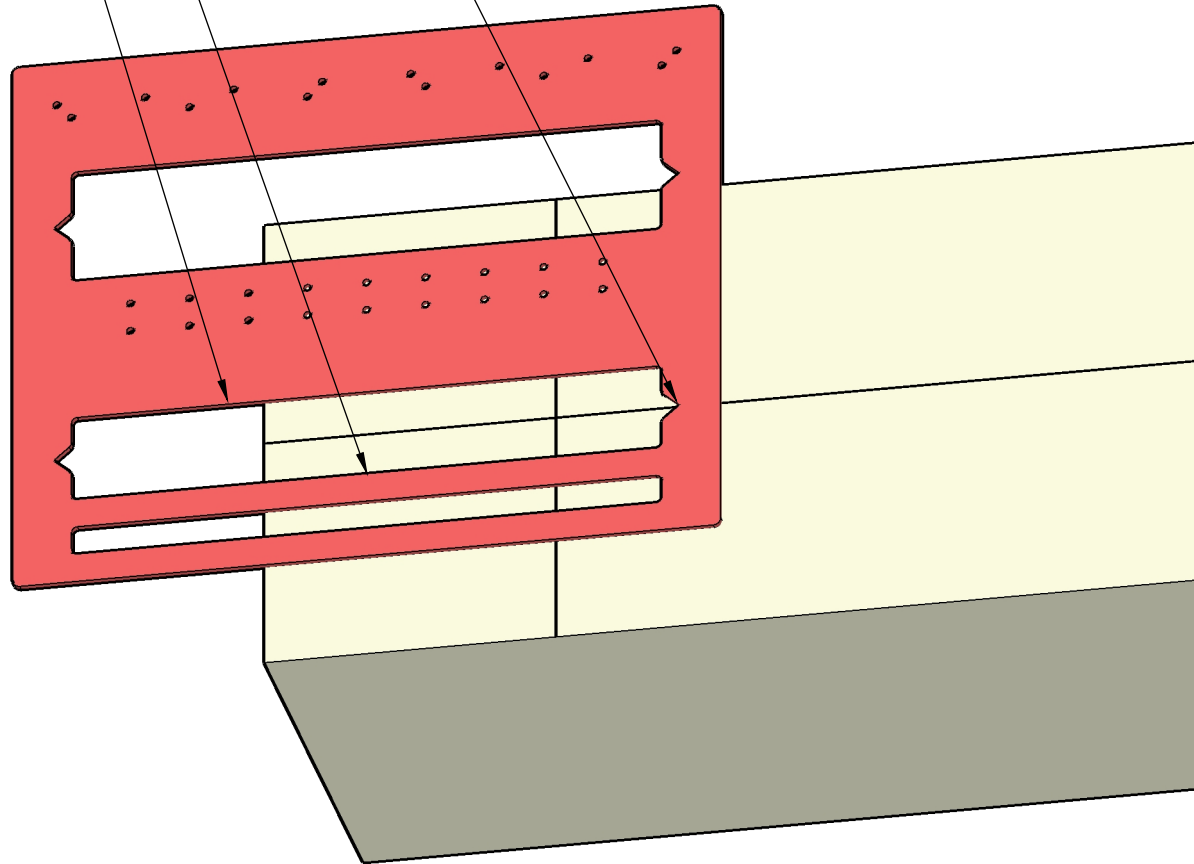
[www.StarHillTimberworks.com](http://www.StarHillTimberworks.com)

# 1 1/2" Center Line Tenon Layout

Align Notch to Center Line

Mark @ 1 1/2"

Mark @ 3"



Mortise and Tenon Master  
User Guide



Purchase Your Mortise & Tenon Master  
<https://www.starhilltimberworks.com>



Workshops. Tools. Consulting. Design.

[www.StarHillTimberworks.com](http://www.StarHillTimberworks.com)

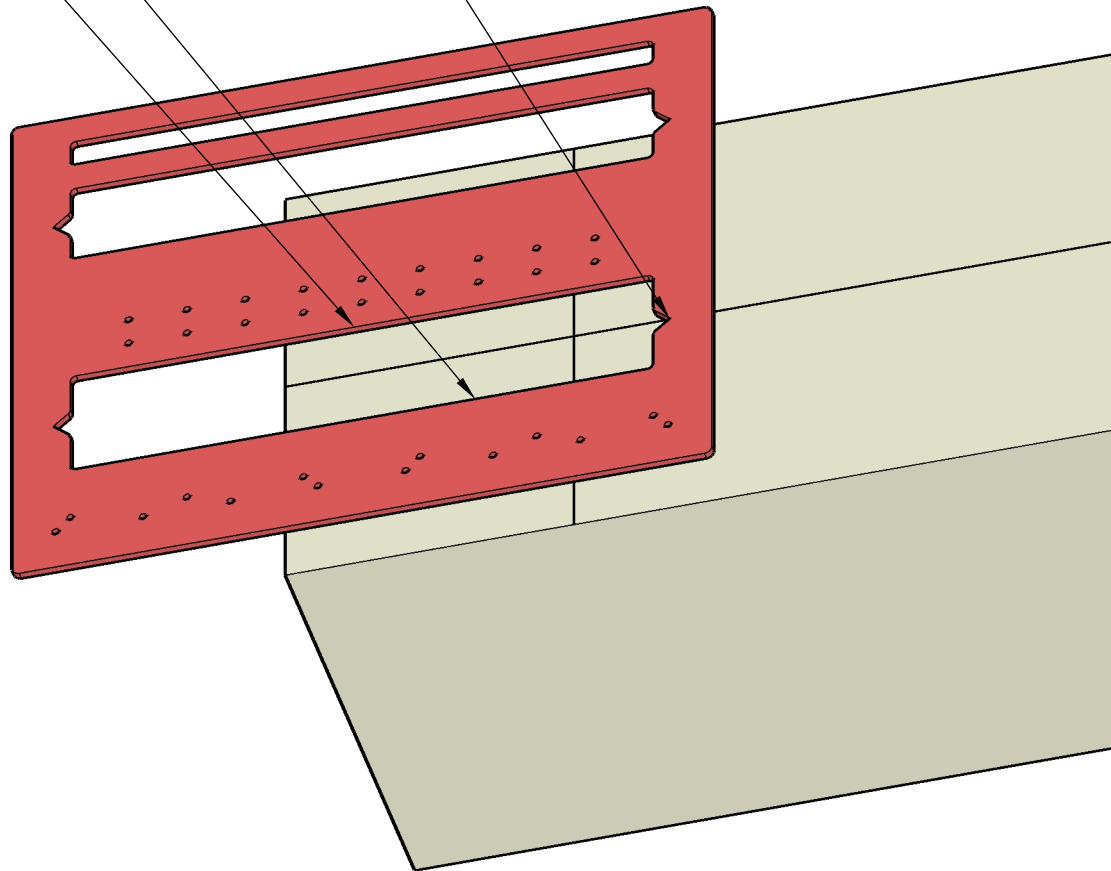


# 2" Center Line Tenon Layout

Align Notch to Center Line

Mark @ 2"

Mark @ 4"



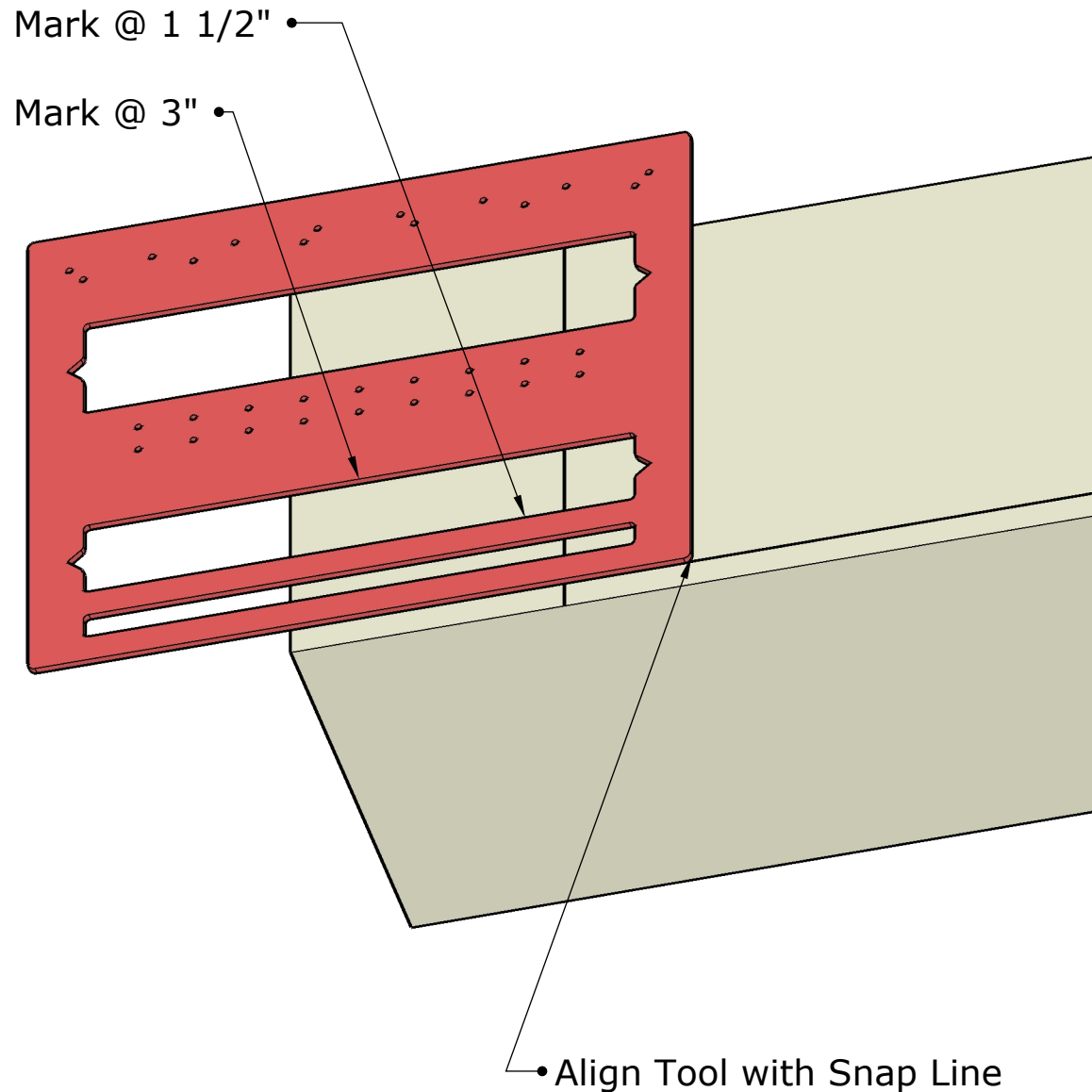
Purchase Your Mortise & Tenon Master

<https://www.starhilltimberworks.com>



Workshops. Tools. Consulting. Design.

# 1 1/2" Snap Line Tenon Layout



Purchase Your Mortise & Tenon Master  
<https://www.starhilltimberworks.com>



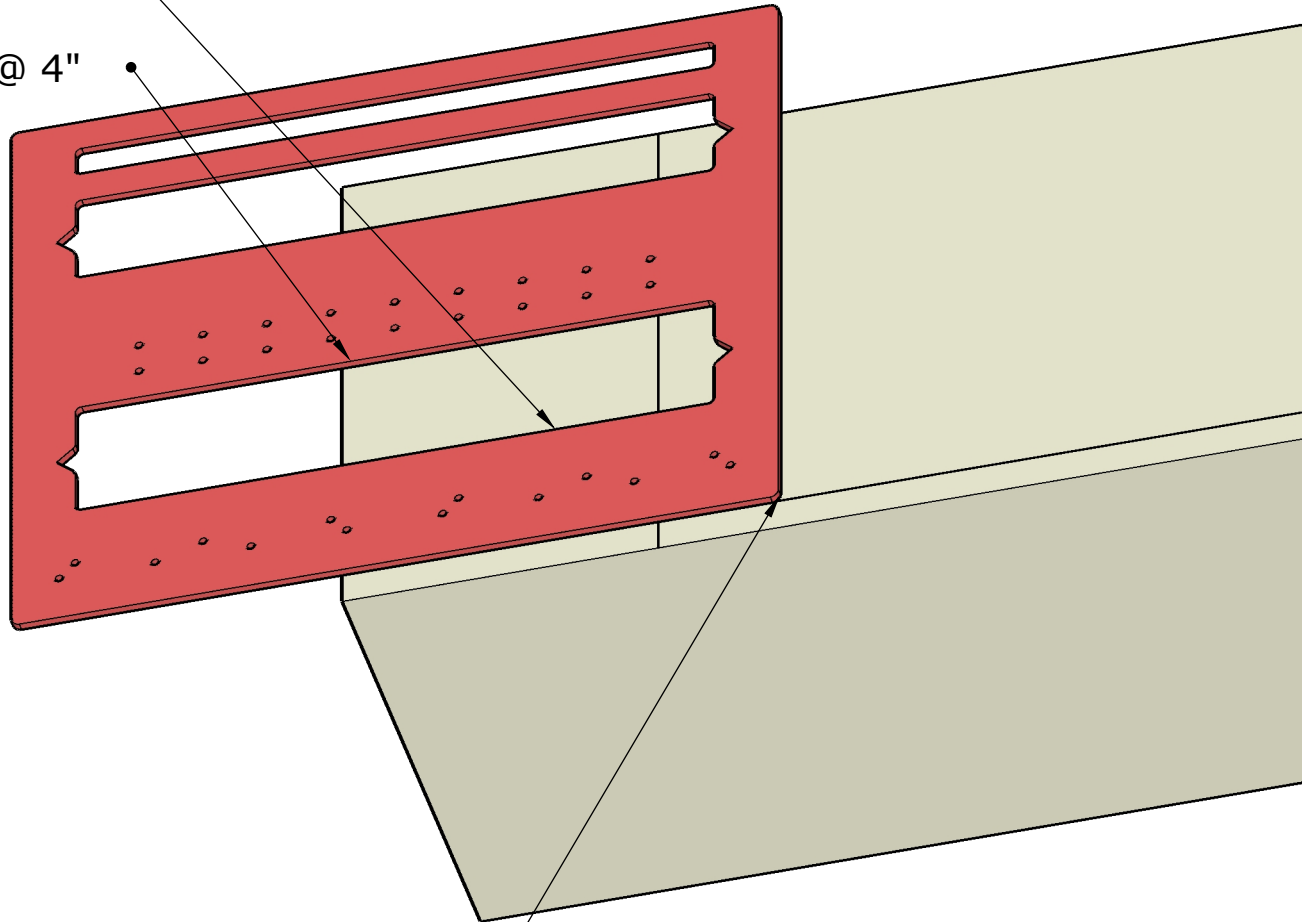
Workshops. Tools. Consulting. Design.

[www.StarHillTimberworks.com](http://www.StarHillTimberworks.com)

# 2" Snap Line Tenon Layout

Mark @ 2"

Mark @ 4"



Align Tool with Snap Line



Purchase Your Mortise & Tenon Master  
<https://www.starhilltimberworks.com>



Workshops. Tools. Consulting. Design.

[www.StarHillTimberworks.com](http://www.StarHillTimberworks.com)