

Over 30 Layout Functions

Purchase Your Mortise & Tenon Master

<https://www.starhilltimberworks.com>



Simply use a tape or storyboard to mark the start and stops for your joinery. Then, use the Mortise & Tenon Master to complete the layout process.

Mill Rule - Square Rule - Snap Line - Center Line

Mortise Layout - Housing Layout - Tenon Checking

Boring Machine Holes - Peg Holes

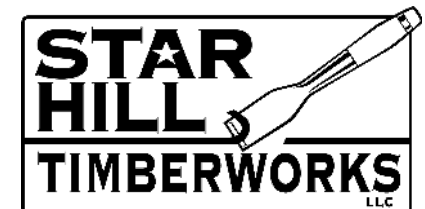


Mortise & Tenon Master

User Guide

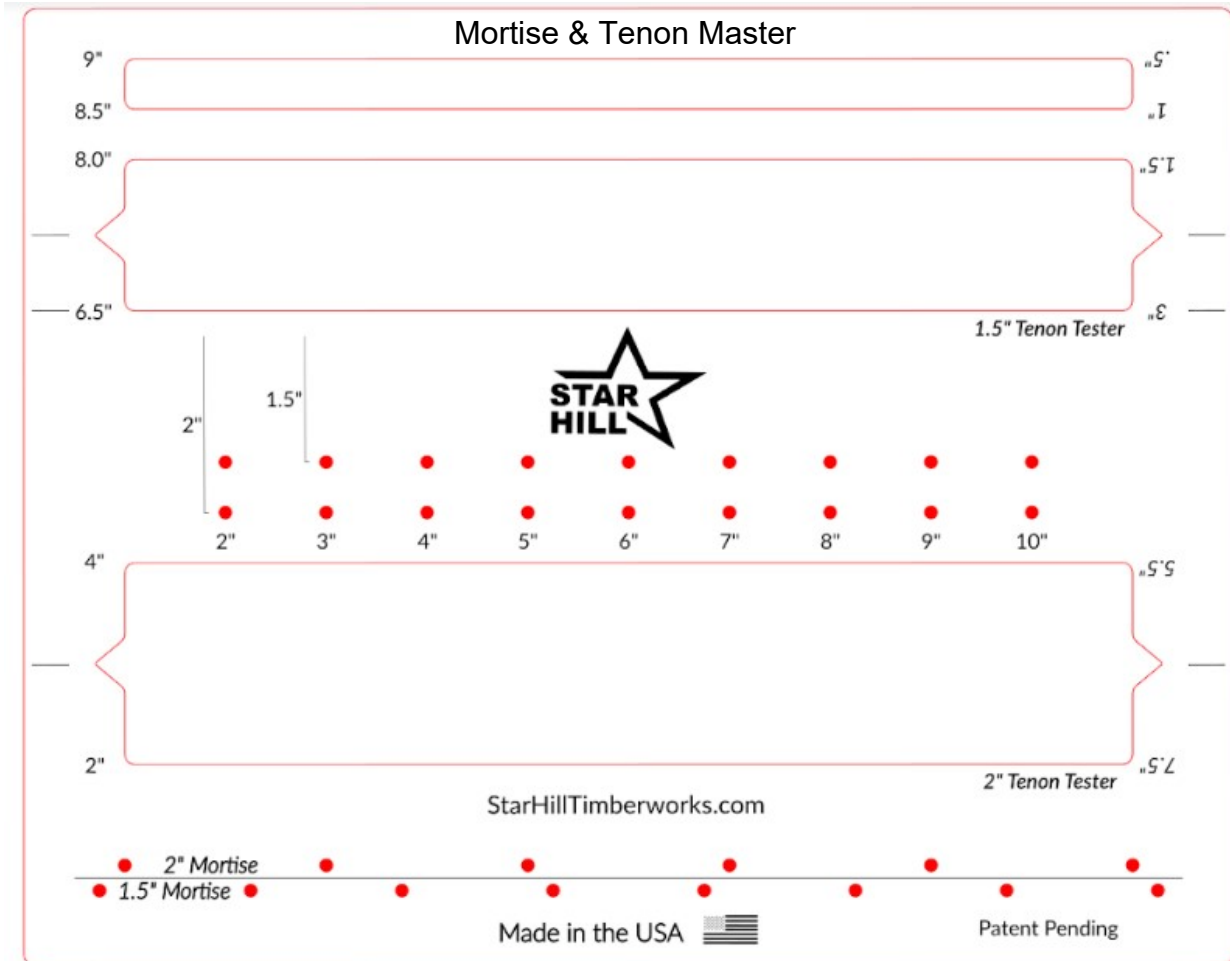
StarHillTimberworks.com

Patent Pending



Copyright 2023
Star Hill Timberworks LLC

Mortise and Tenon Master User Guide



Purchase Your Mortise & Tenon Master
<https://www.starhilltimberworks.com>

General Use Instruction: For each layout function, determine and mark the starts and stops for the joinery. Then, align the reference edge, snap line, or center line to the Mortise & Tenon Master (long edge or V-groove); mark your start and stop lines perpendicular to the timber.



Workshops. Tools. Consulting. Design.

www.StarHillTimberworks.com

Table of Contents

Page #	Function
3	1 1/2" Mortise Layout
4	2" Mortise Layout
5	1 1/2" Center Line Mortise Layout
6	2" Center Line Mortise Layout
7	1 1/2" Snap Line Mortise Layout
8	2" Snap Line Mortise Layout
9-10	1 1/2" Tenon & Shoulder Checker
11-12	2" Tenon & Shoulder Checker
13-14	1 1/2" & 2" Boring Machine/Drill Holes
15-16	Peg Holes 1 1/2" & 2" Off Housing
17	9 1/2" Housing
18	9" Housing
19	8 1/2" Housing
20	8" Housing
21	7 1/2" Housing
22	7" Housing
23	6 1/2" Housing
24	6" Housing
25	5 1/2" Housing
26	5" Housing
27	4 1/2" Housing
28	1/2" Housing
29	1 1/2" Tenon Layout
30	2" Tenon Layout
31	1 1/2" Center Line Tenon Layout
32	2" Center Line Tenon Layout
33	1 1/2" Snap Line Tenon Layout
34	2" Snap Line Tenon Layout



Purchase Your Mortise & Tenon Master
<https://www.starhilltimberworks.com>



Workshops. Tools. Consulting. Design.

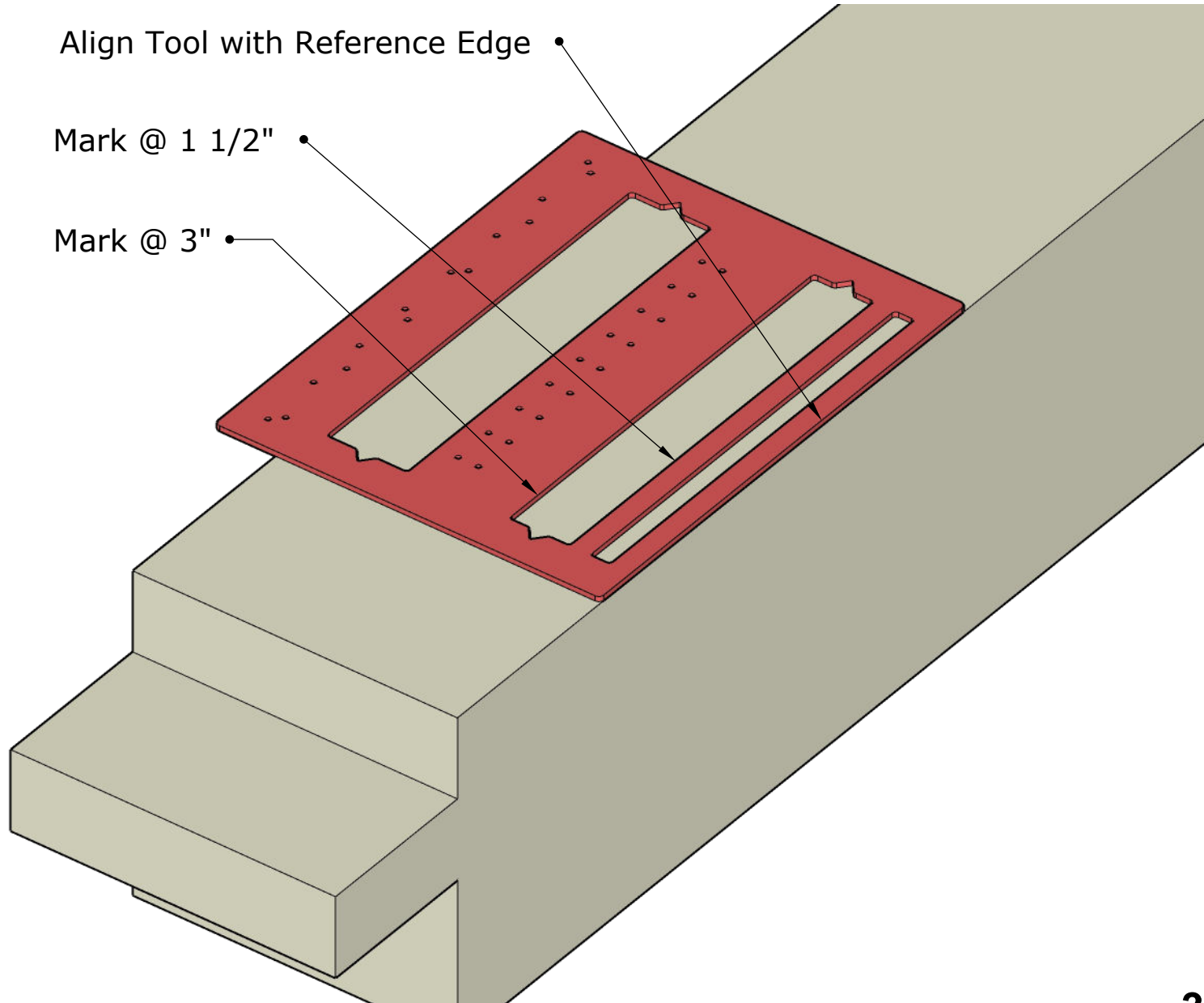
www.StarHillTimberworks.com

1 1/2" Mortise Layout

Align Tool with Reference Edge

Mark @ 1 1/2"

Mark @ 3"



Purchase Your Mortise & Tenon Master
<https://www.starhilltimberworks.com>

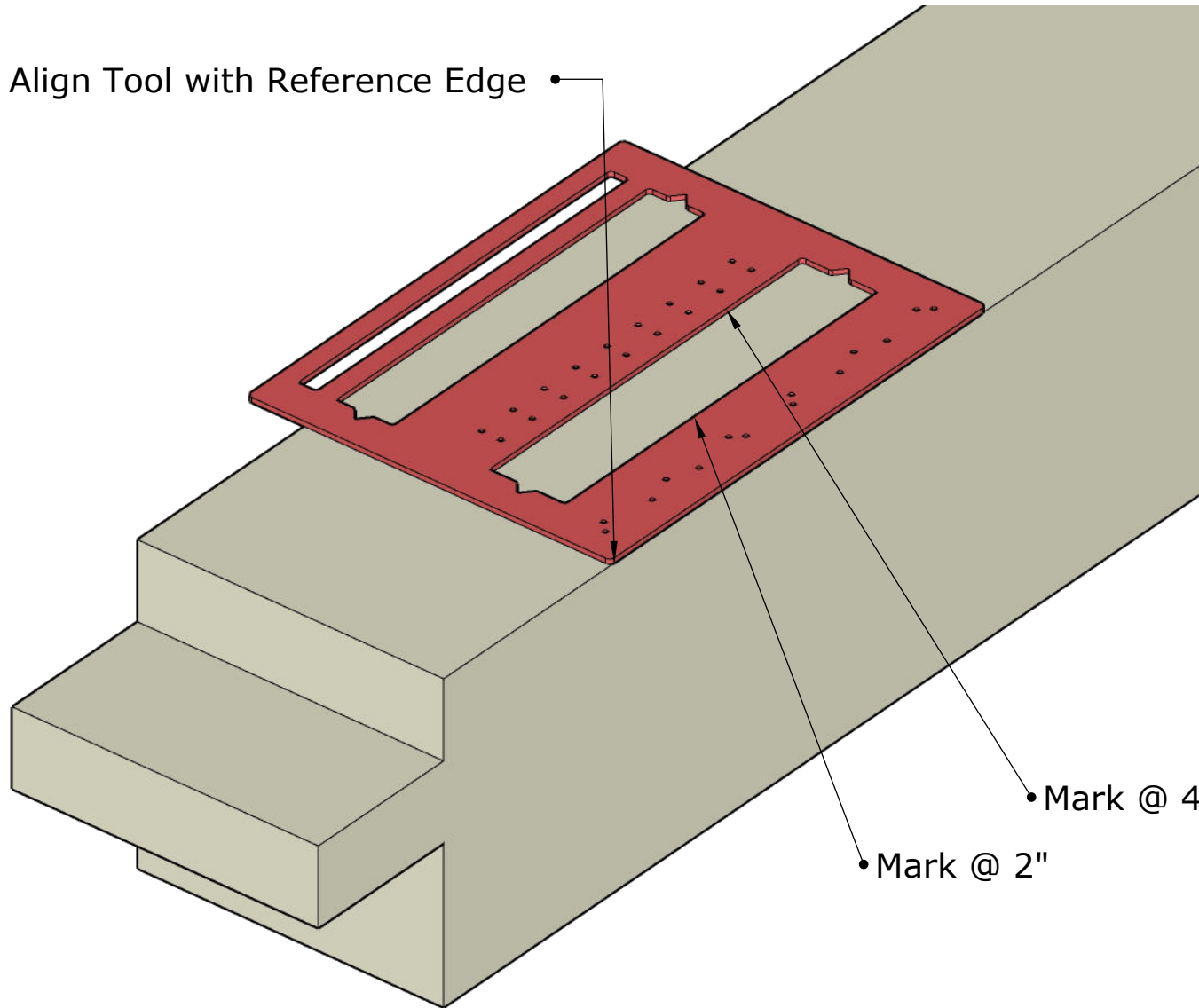


Workshops. Tools. Consulting. Design.

www.StarHillTimberworks.com

2" Mortise Layout

Align Tool with Reference Edge



Mortise and Tenon Master User Guide



Purchase Your Mortise & Tenon Master
<https://www.starhilltimberworks.com>

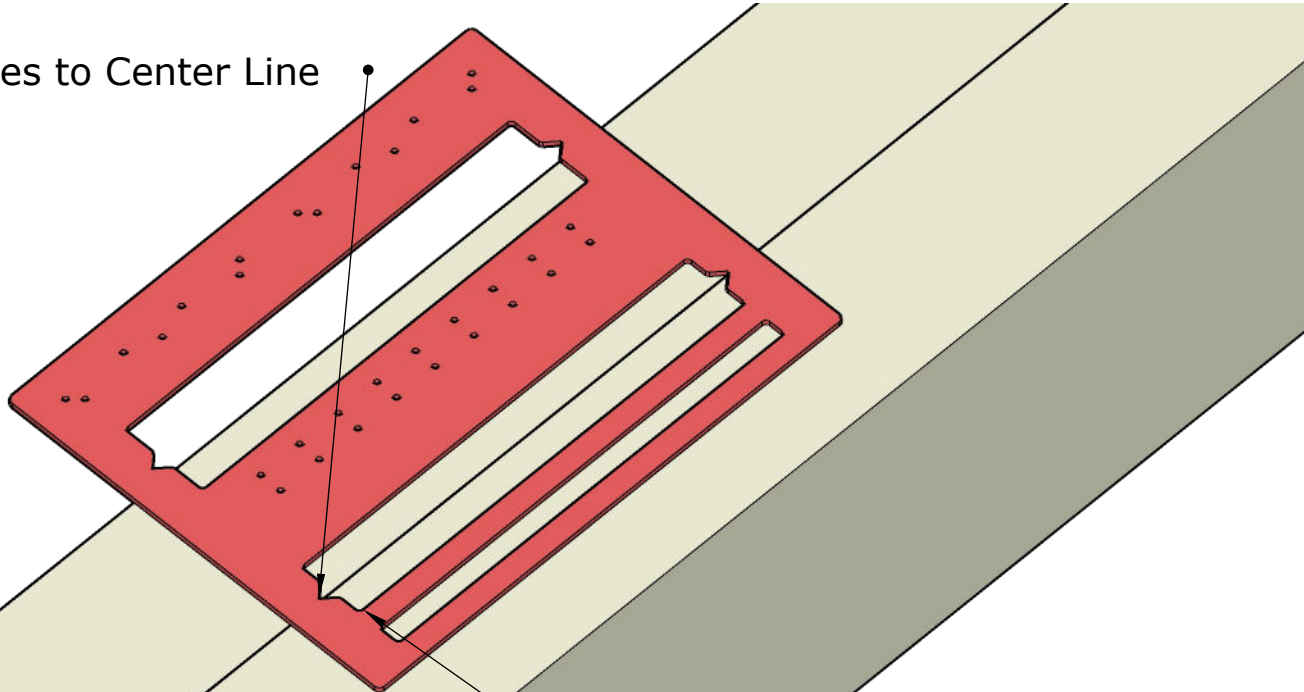


Workshops. Tools. Consulting. Design.

www.StarHillTimberworks.com

1 1/2" Centerline Mortise Layout

Align Notches to Center Line



Mark the Edges



Purchase Your Mortise & Tenon Master
<https://www.starhilltimberworks.com>

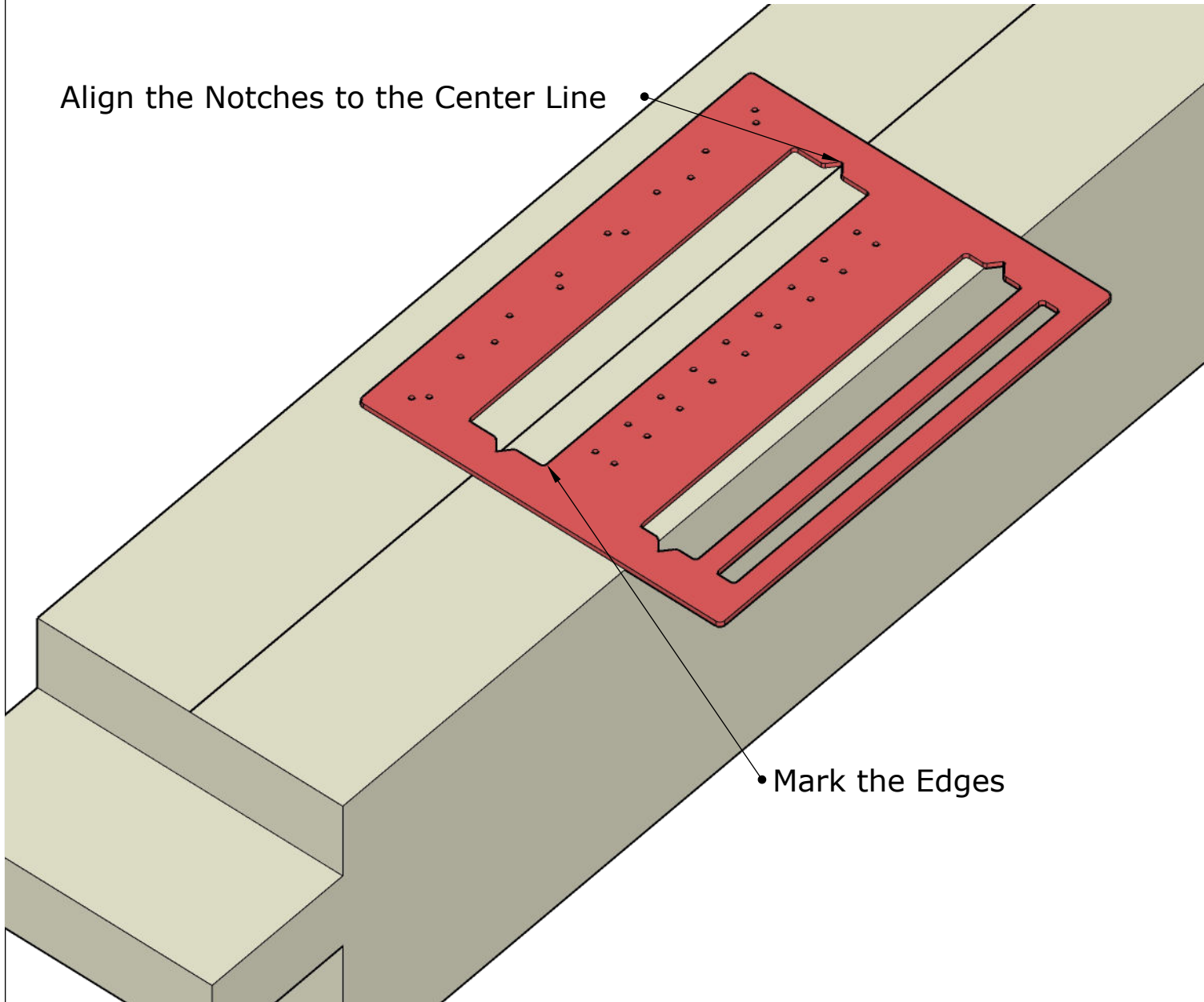


Workshops. Tools. Consulting. Design.

www.StarHillTimberworks.com

2" Centerline Mortise Layout

Align the Notches to the Center Line



Mark the Edges

Mortise and Tenon Master
User Guide



Purchase Your Mortise & Tenon Master
<https://www.starhilltimberworks.com>



Workshops. Tools. Consulting. Design.

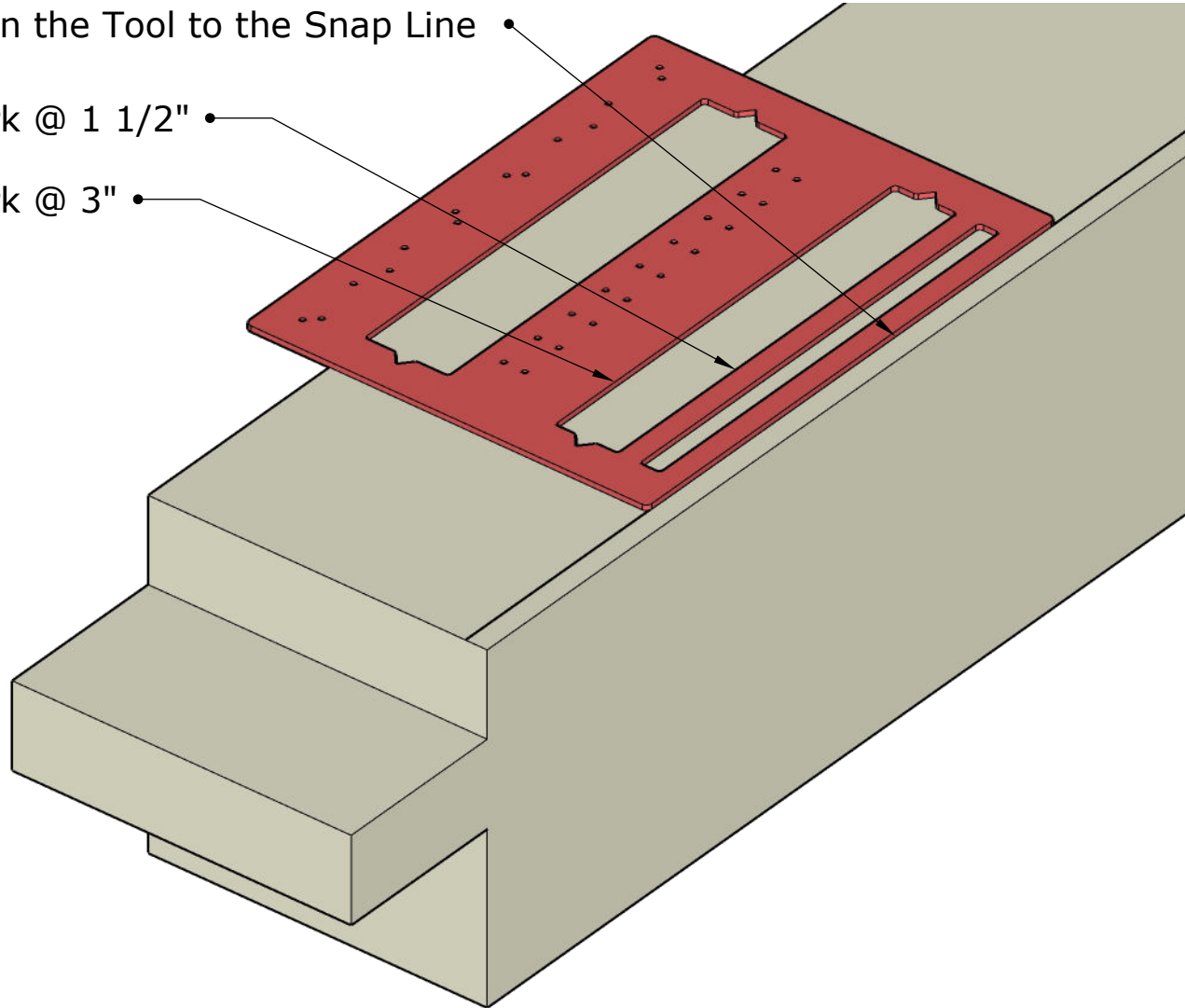
www.StarHillTimberworks.com

1 1/2" Snap Line Mortise Layout

Align the Tool to the Snap Line

Mark @ 1 1/2"

Mark @ 3"



Purchase Your Mortise & Tenon Master
<https://www.starhilltimberworks.com>



Workshops. Tools. Consulting. Design.

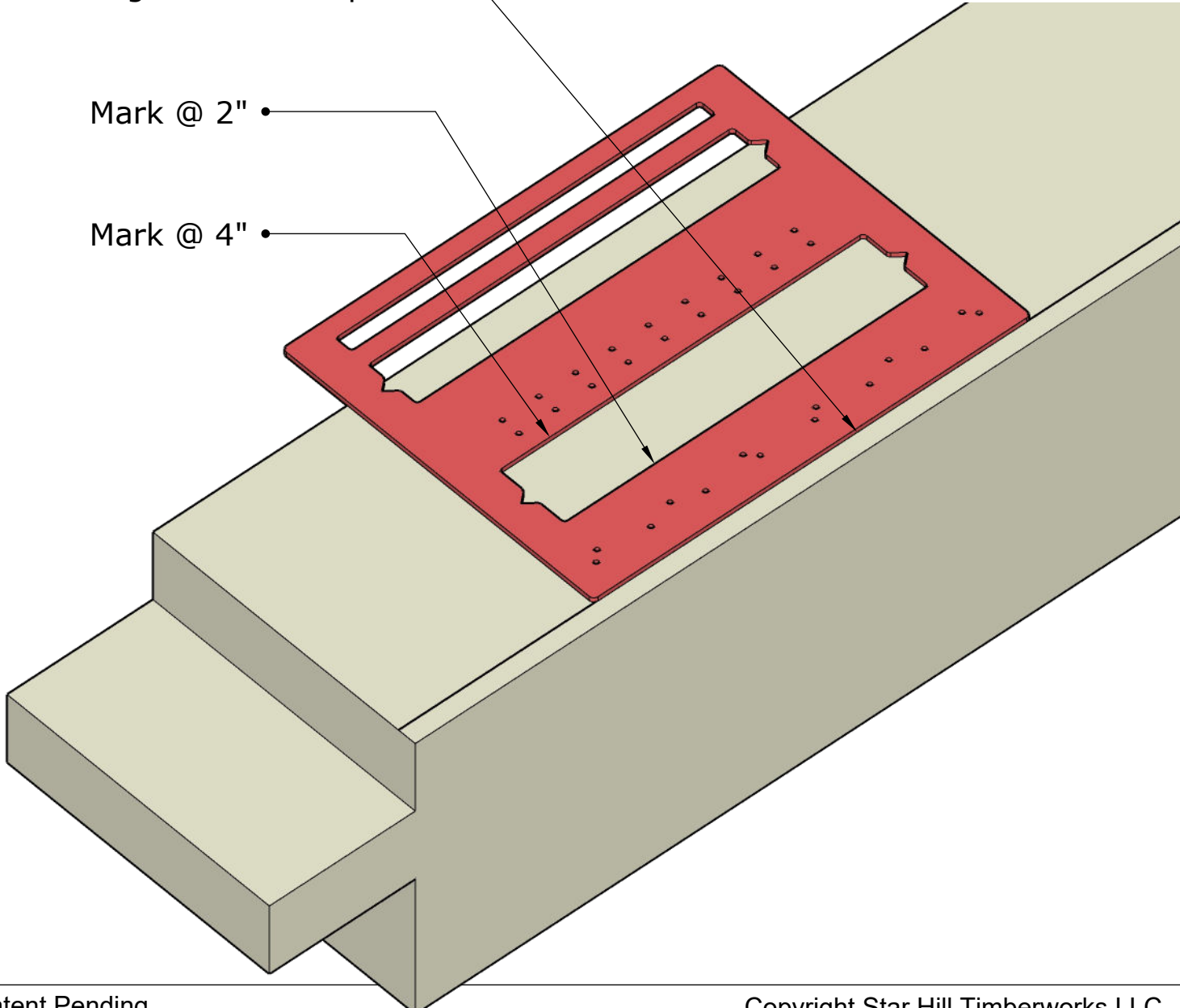
www.StarHillTimberworks.com

2" Snap Line Mortise Layout

Align Tool to Snap Line

Mark @ 2"

Mark @ 4"



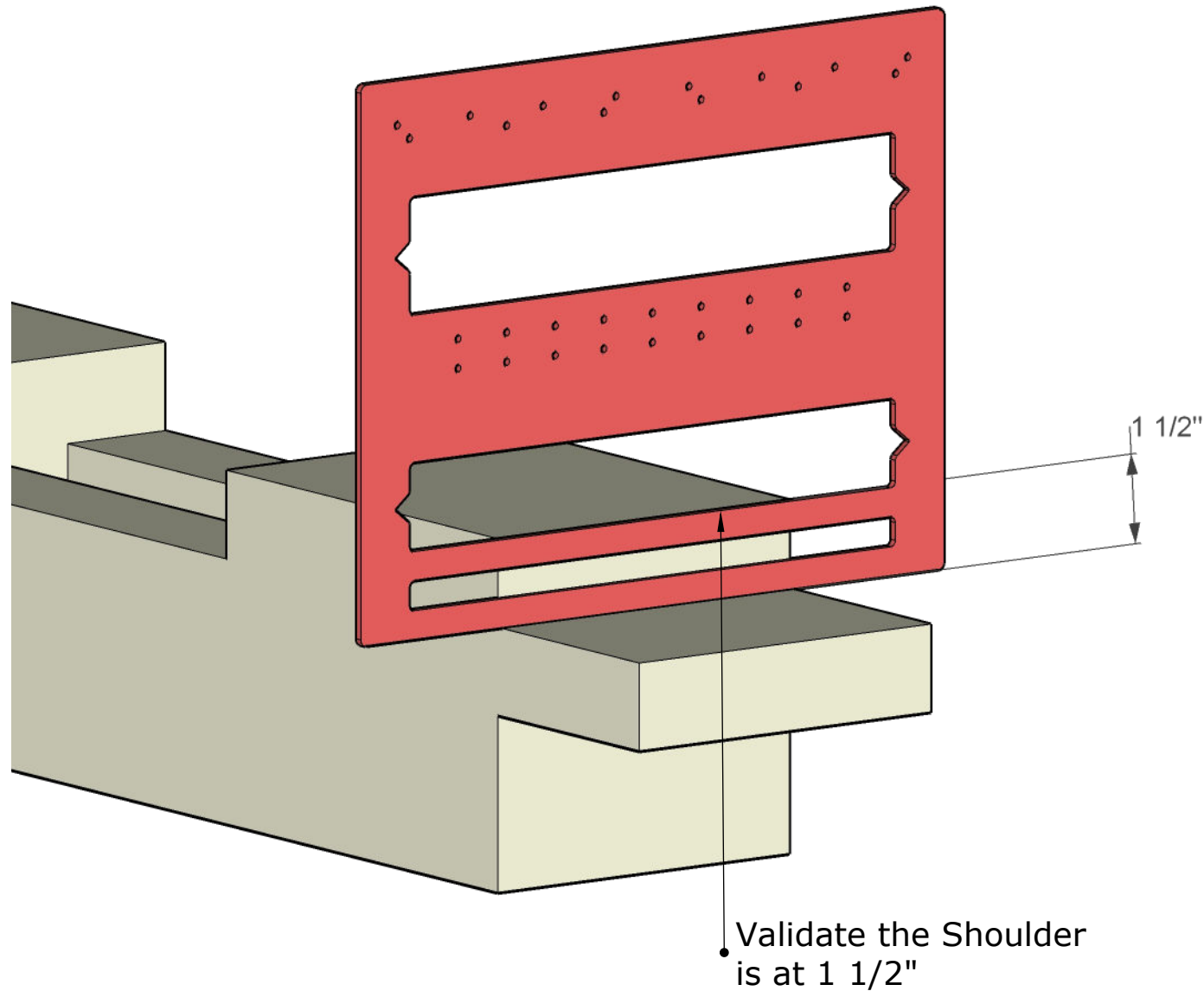
Purchase Your Mortise & Tenon Master
<https://www.starhilltimberworks.com>



Workshops. Tools. Consulting. Design.

www.StarHillTimberworks.com

1 1/2" Tenon Checker (Page 1 of 2)



Purchase Your Mortise & Tenon Master
<https://www.starhilltimberworks.com>

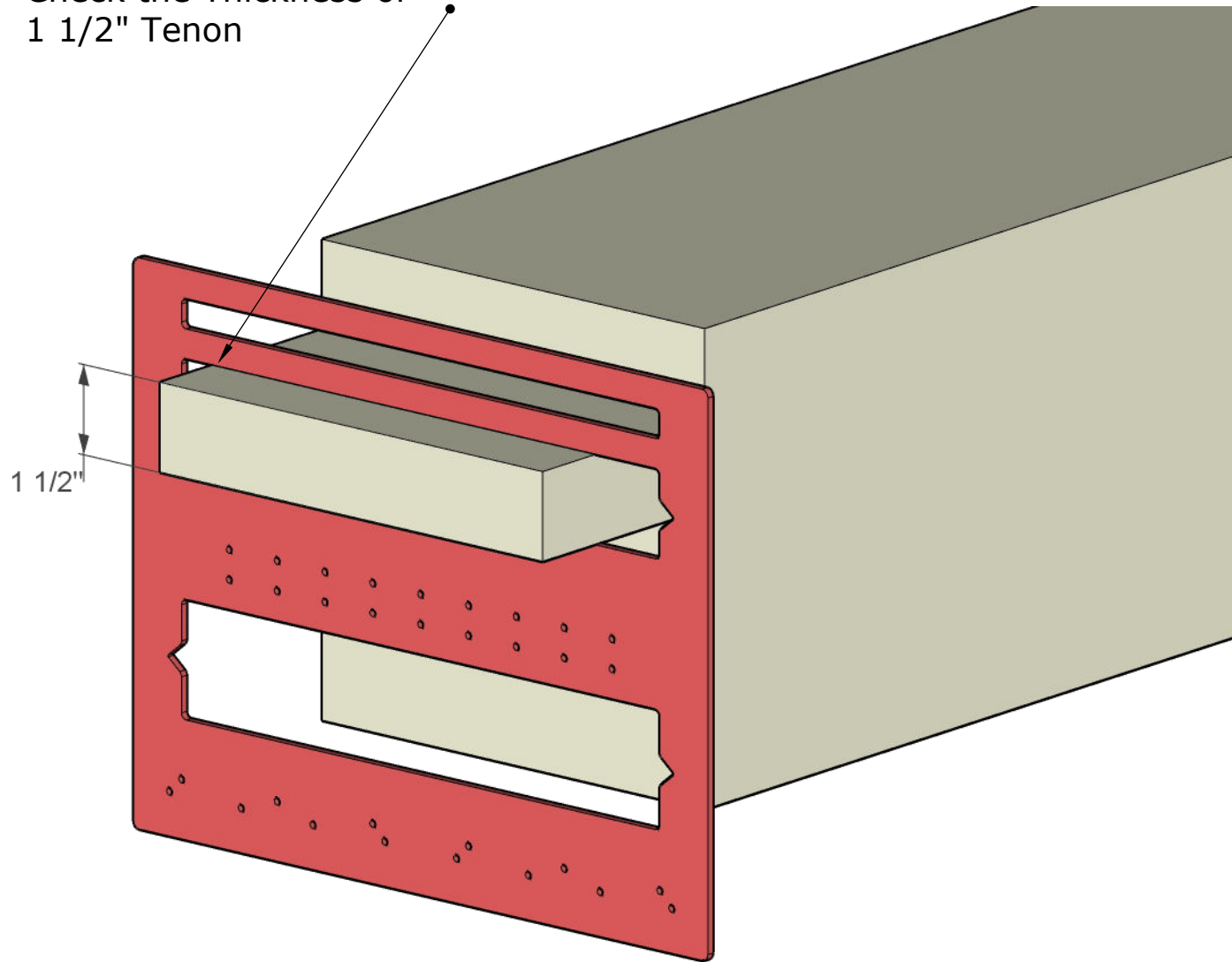


Workshops. Tools. Consulting. Design.

www.StarHillTimberworks.com

1 1/2" Tenon Checker (Page 2 of 2)

Check the Thickness of
1 1/2" Tenon

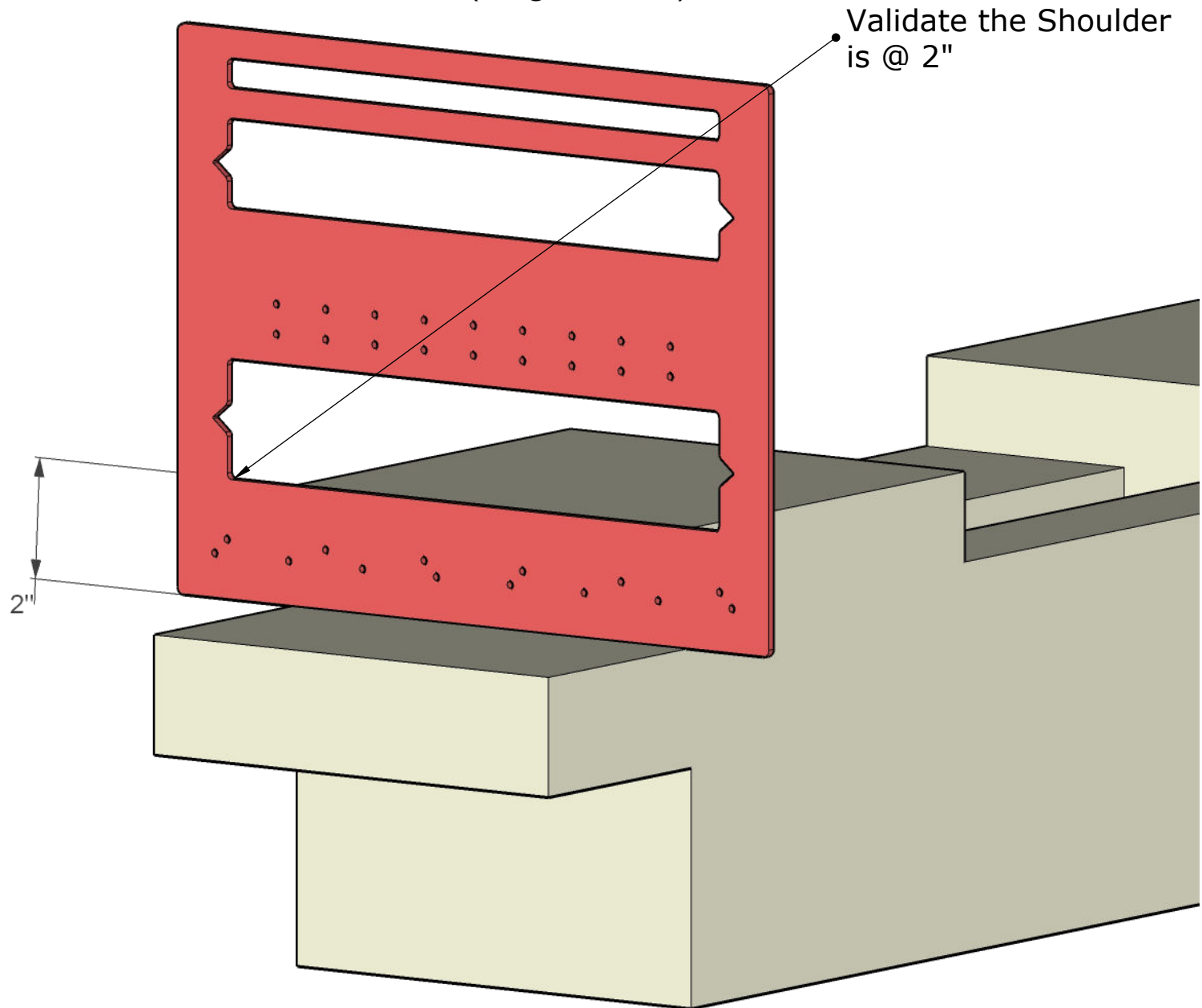


Purchase Your Mortise & Tenon Master
<https://www.starhilltimberworks.com>



Workshops. Tools. Consulting. Design.

2" Tenon Checker (Page 1 of 2)



Mortise and Tenon Master User Guide



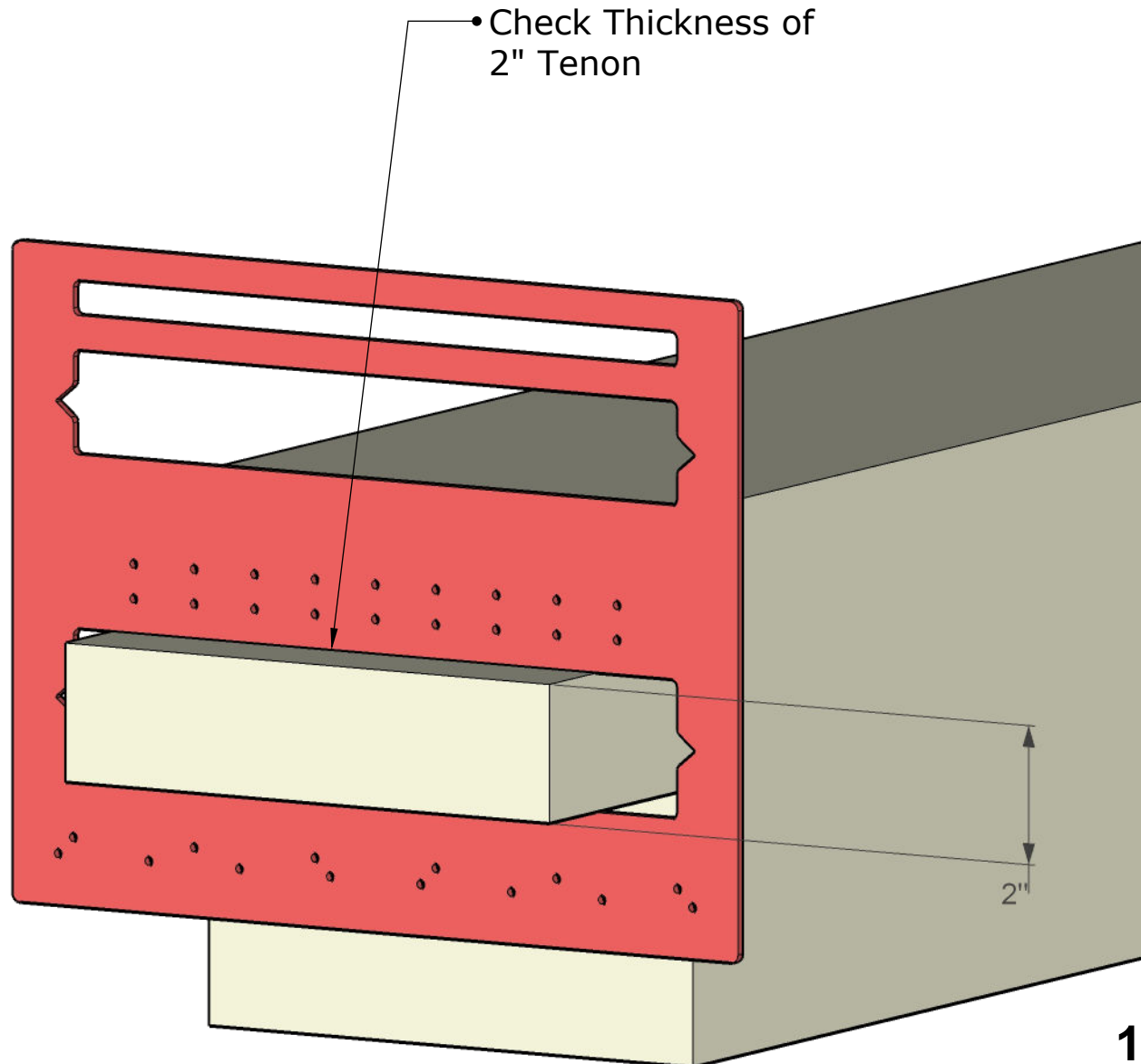
Purchase Your Mortise & Tenon Master
<https://www.starhilltimberworks.com>



Workshops. Tools. Consulting. Design.

www.StarHillTimberworks.com

2" Tenon Checker (Page 2 of 2)



Purchase Your Mortise & Tenon Master
<https://www.starhilltimberworks.com>

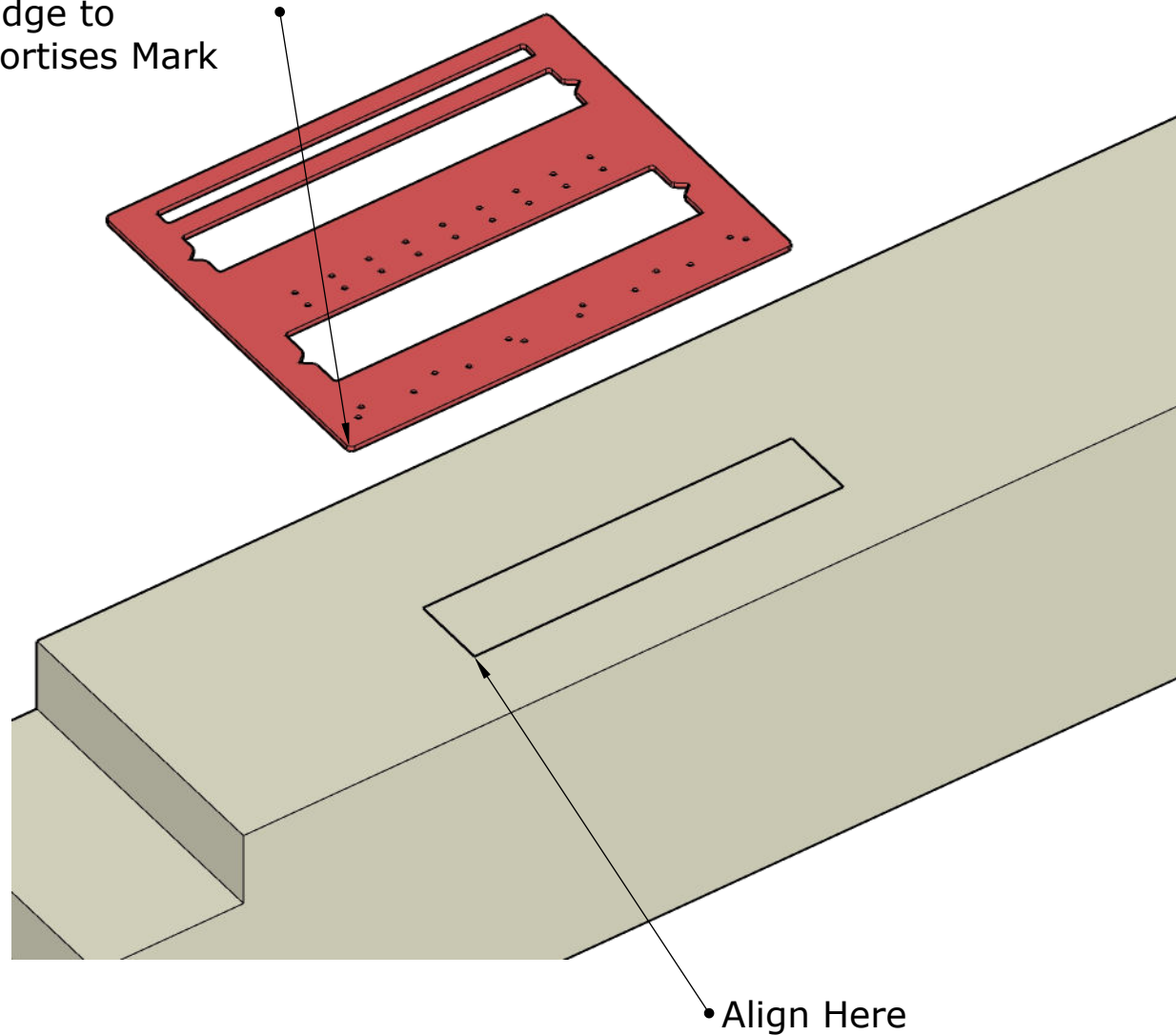


Workshops. Tools. Consulting. Design.

www.StarHillTimberworks.com

1 1/2" & 2" Boring Machine/Drill Holes (Page 1 of 2)

Align Lower Edge &
Left Edge to
the Mortises Mark



Mortise and Tenon Master
User Guide



Purchase Your Mortise & Tenon Master
<https://www.starhilltimberworks.com>



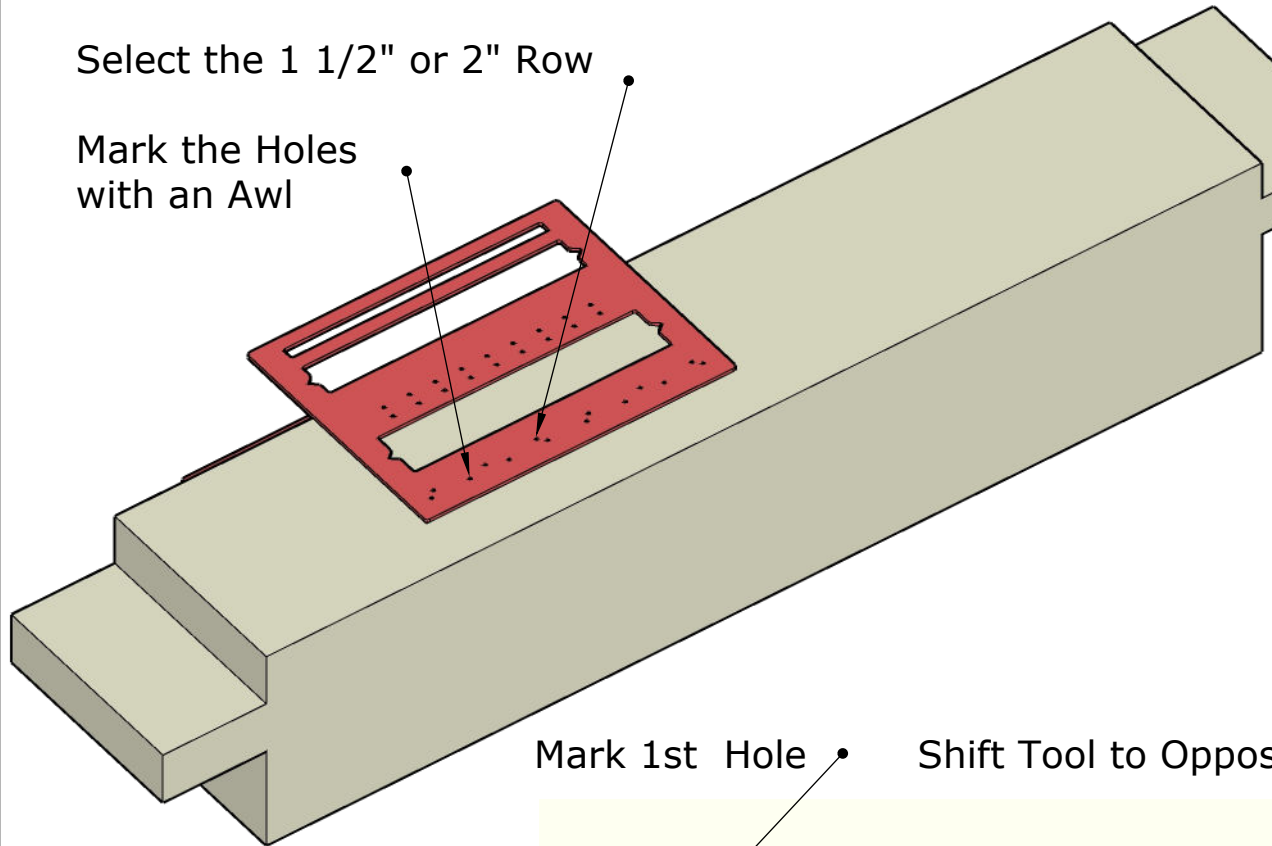
Workshops. Tools. Consulting. Design.

www.StarHillTimberworks.com

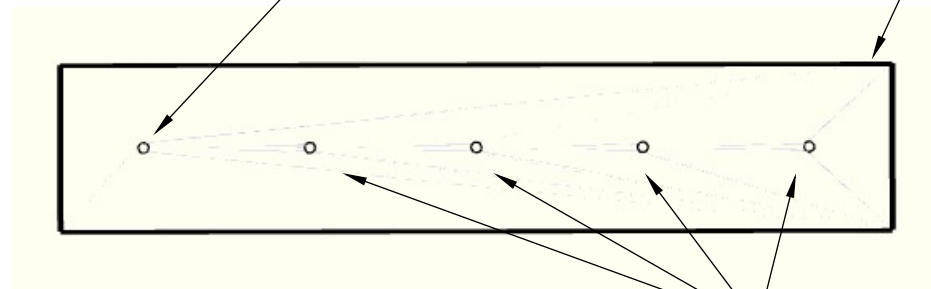
1 1/2" & 2" Boring Machine/Drill Holes (Page 2 of 2)

Select the 1 1/2" or 2" Row

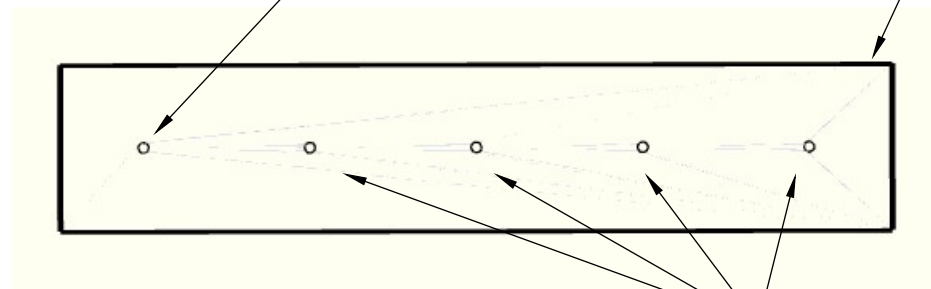
Mark the Holes with an Awl



Mark 1st Hole Shift Tool to Opposite End



Mark Remaining Holes



Purchase Your Mortise & Tenon Master

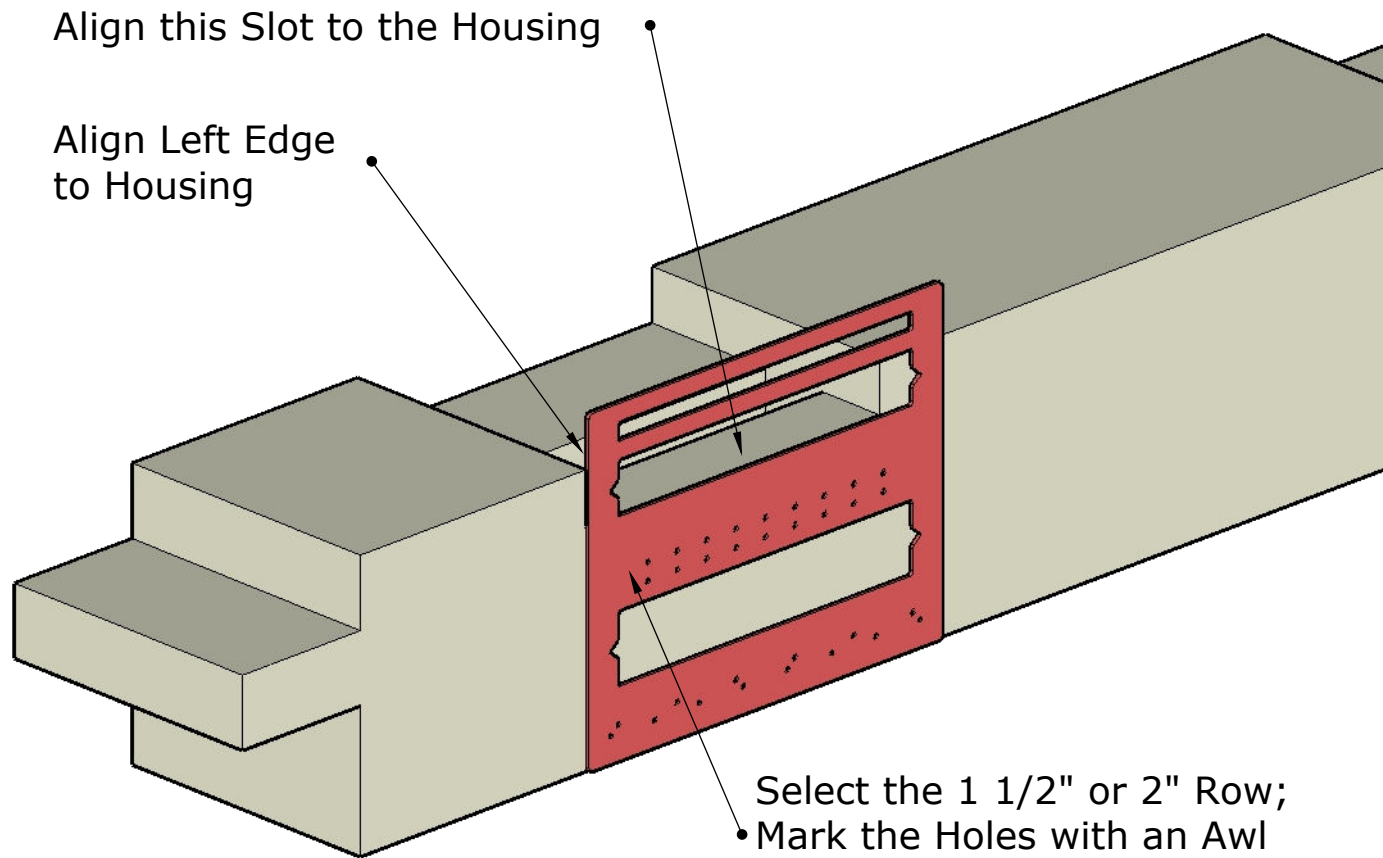
<https://www.starhilltimberworks.com>



Workshops. Tools. Consulting. Design.

www.StarHillTimberworks.com

Peg Holes 1 1/2" & 2" Off Housing (Page 1 of 2)



The 1st hole is offset 2", the other holes are at 1" intervals



Purchase Your Mortise & Tenon Master
<https://www.starhilltimberworks.com>

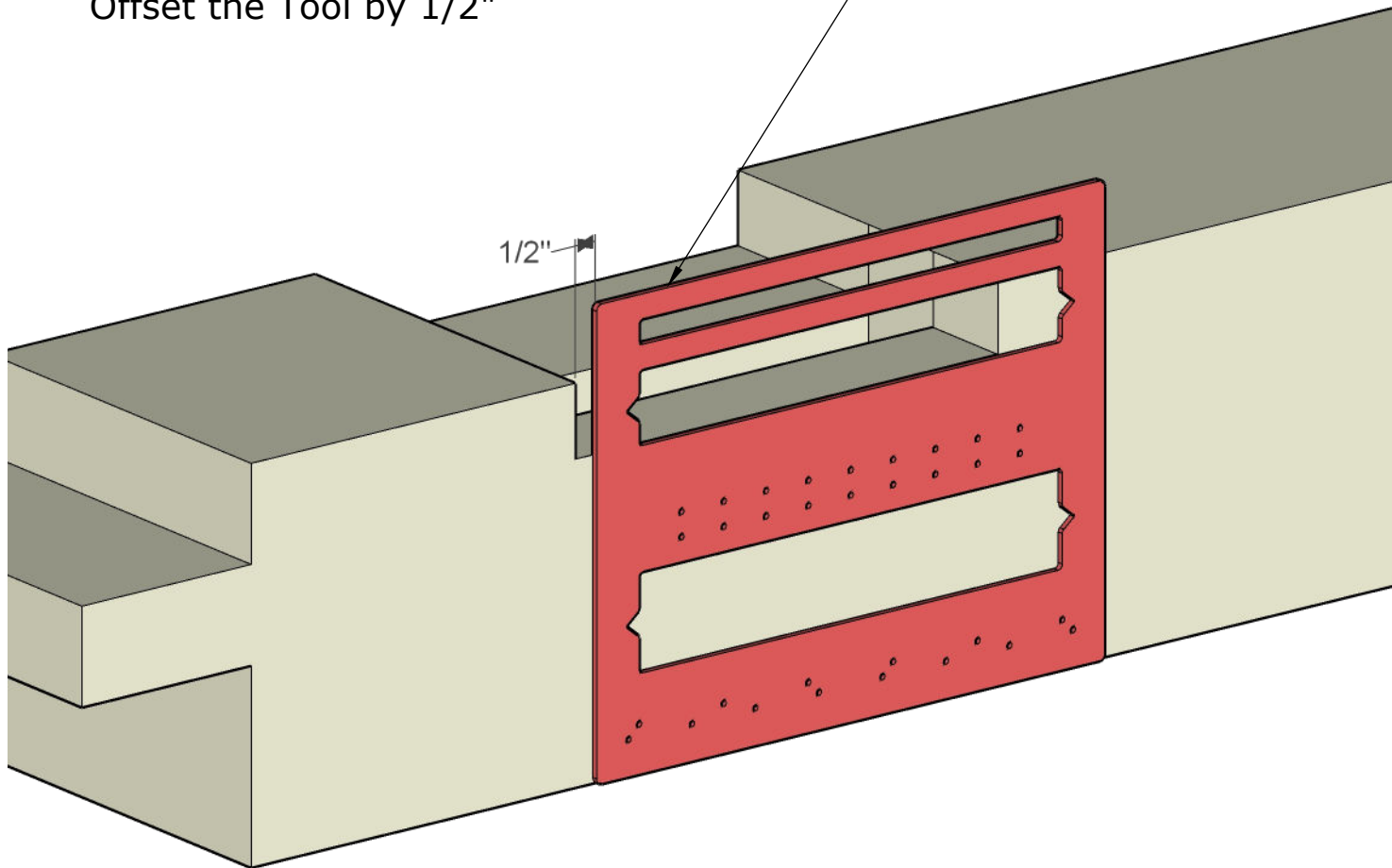


Workshops. Tools. Consulting. Design.

www.StarHillTimberworks.com

Peg Holes 1 1/2" & 2" Off Housing (Page 2 of 2)

If you need peg holes at 1/2" Increments
Offset the Tool by 1/2"



Mortise and Tenon Master
User Guide

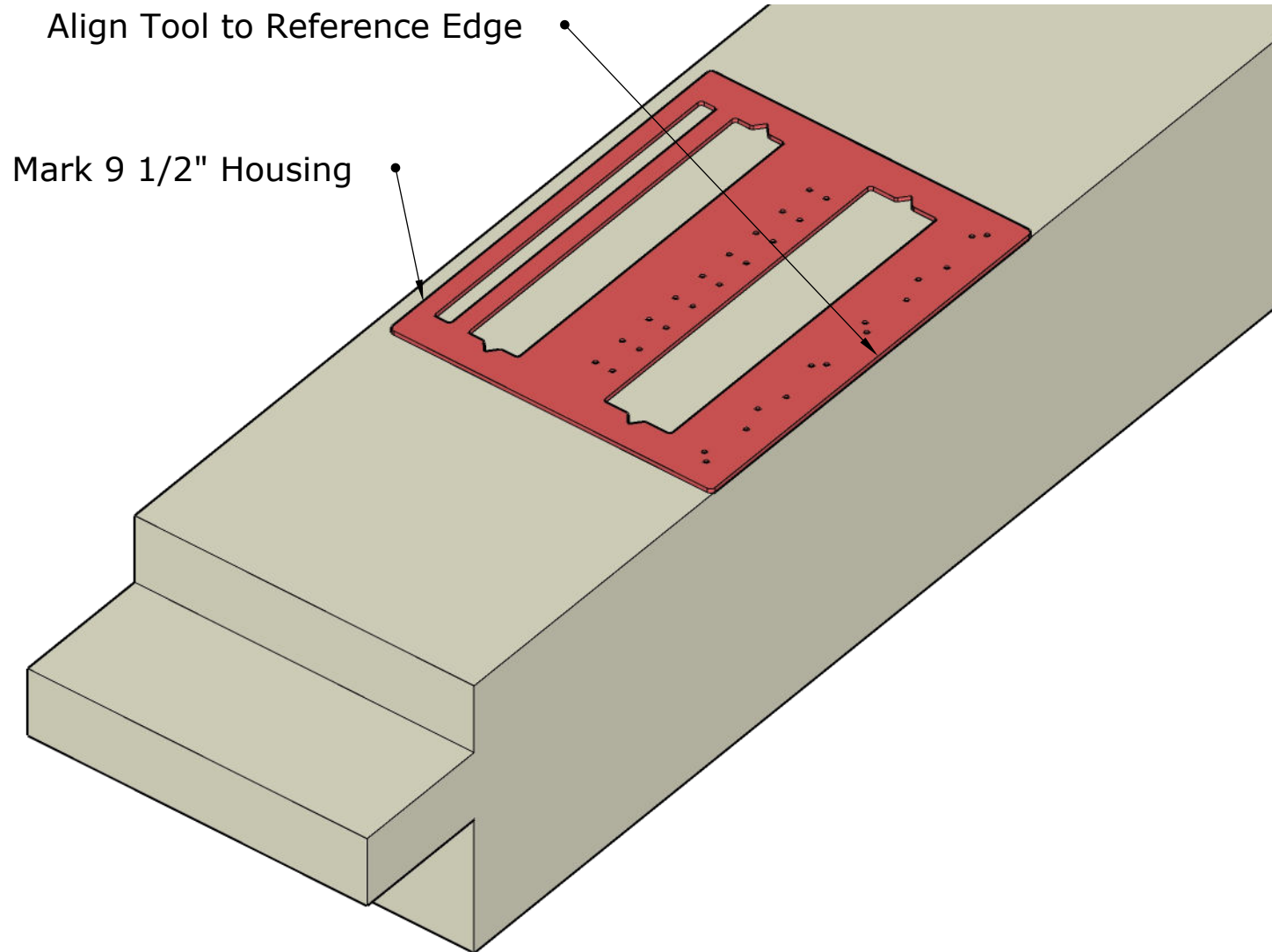


Purchase Your Mortise & Tenon Master
<https://www.starhilltimberworks.com>



Workshops. Tools. Consulting. Design.

9 1/2" Housing



Purchase Your Mortise & Tenon Master
<https://www.starhilltimberworks.com>



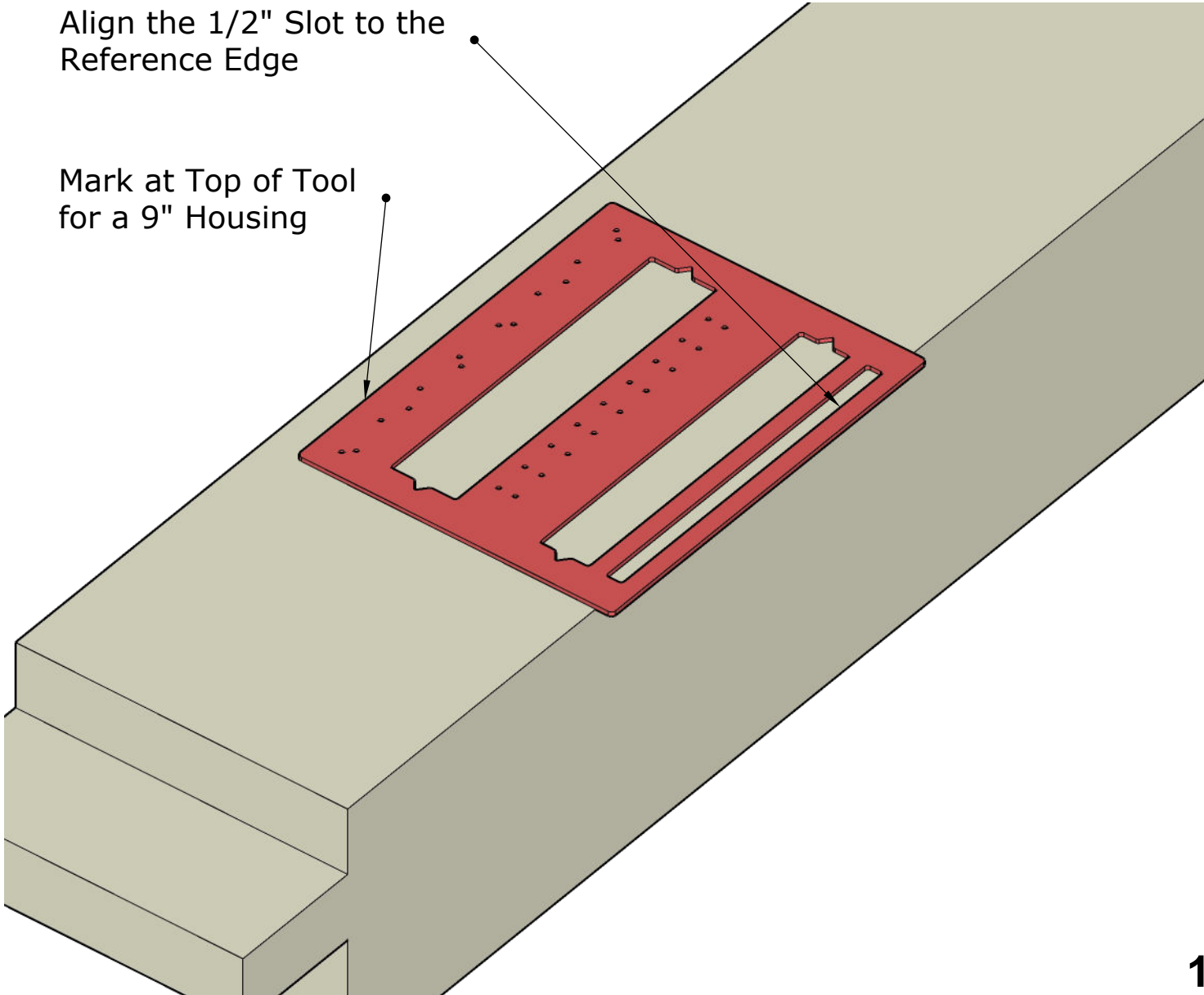
Workshops. Tools. Consulting. Design.

www.StarHillTimberworks.com

9" Housing

Align the 1/2" Slot to the Reference Edge

Mark at Top of Tool for a 9" Housing



Purchase Your Mortise & Tenon Master
<https://www.starhilltimberworks.com>



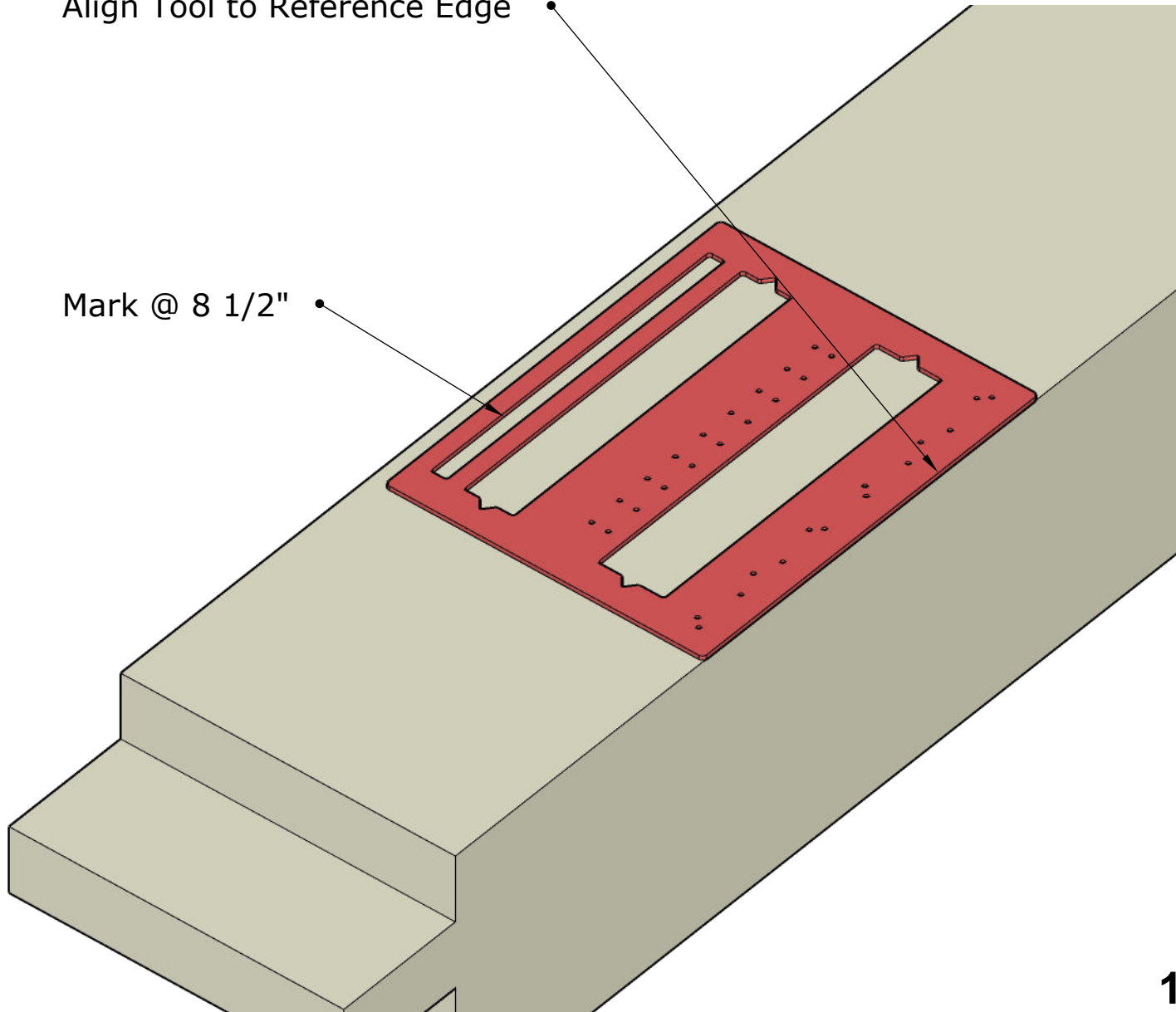
Workshops. Tools. Consulting. Design.

www.StarHillTimberworks.com

8 1/2" Housing

Align Tool to Reference Edge

Mark @ 8 1/2"



Purchase Your Mortise & Tenon Master
<https://www.starhilltimberworks.com>



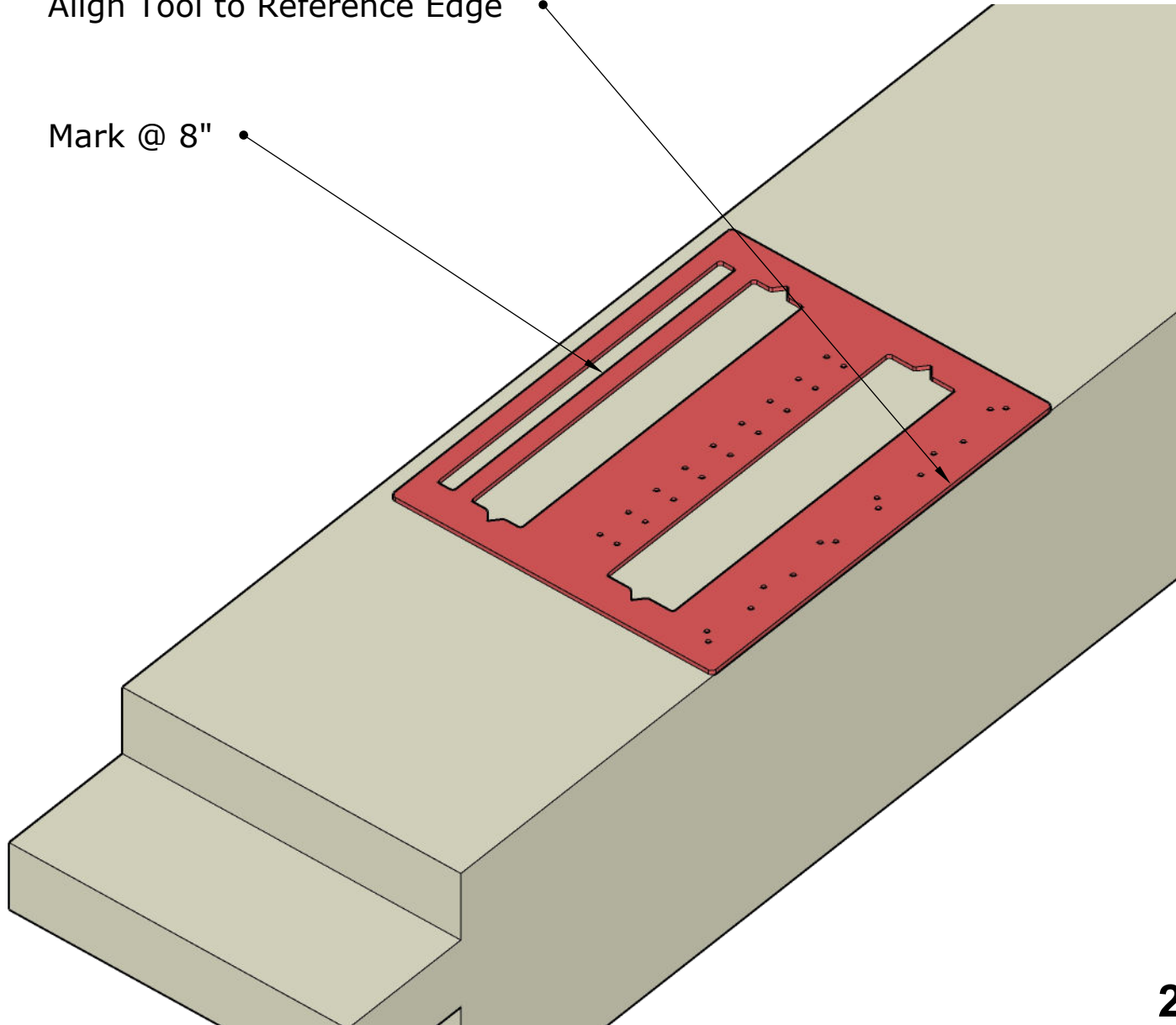
Workshops. Tools. Consulting. Design.

www.StarHillTimberworks.com

8" Housing

Align Tool to Reference Edge

Mark @ 8"



Purchase Your Mortise & Tenon Master
<https://www.starhilltimberworks.com>



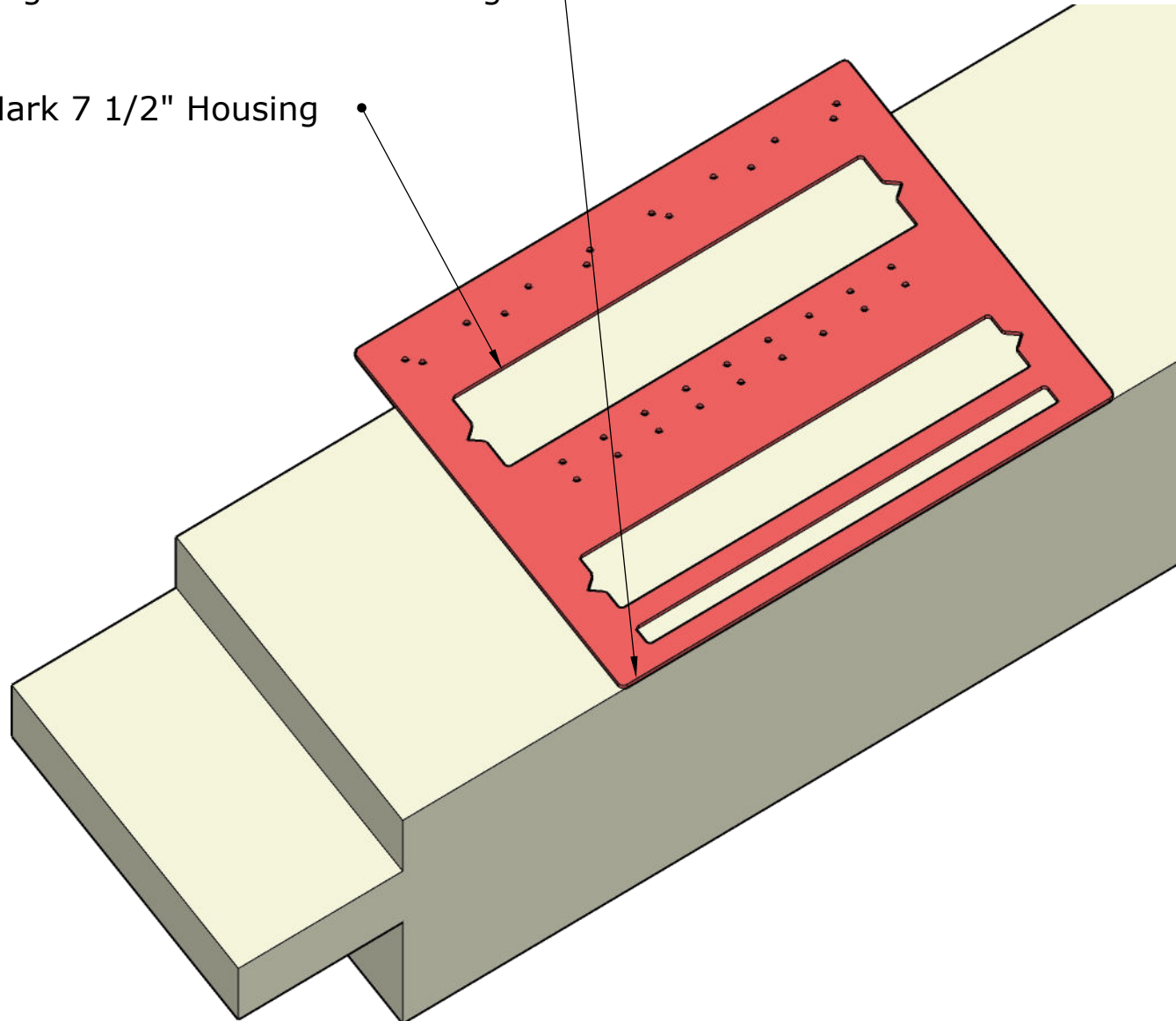
Workshops. Tools. Consulting. Design.

www.StarHillTimberworks.com

7 1/2" Housing

Align Tool to the Reference Edge

Mark 7 1/2" Housing



Mortise and Tenon Master User Guide



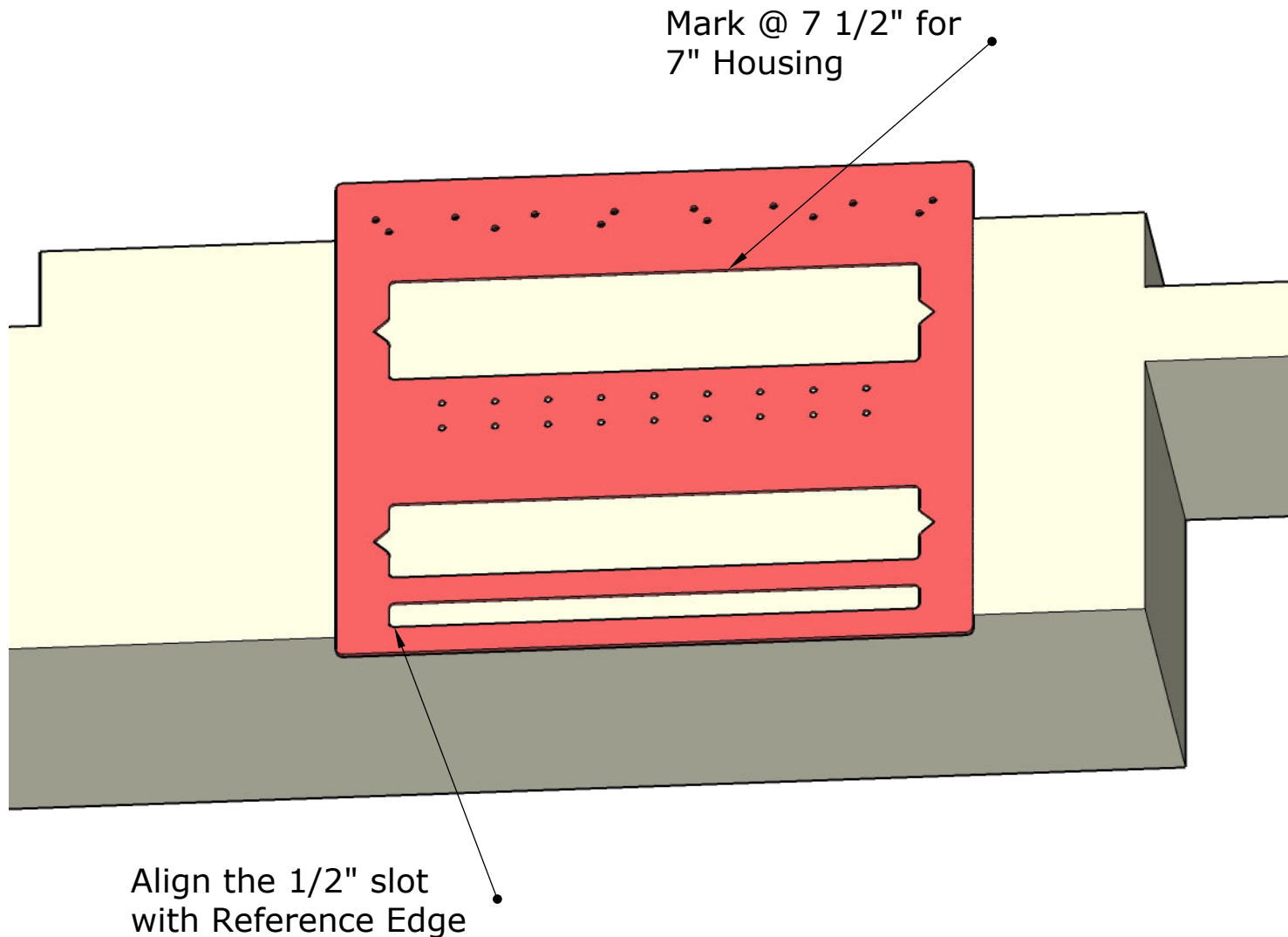
Purchase Your Mortise & Tenon Master
<https://www.starhilltimberworks.com>



Workshops. Tools. Consulting. Design.

www.StarHillTimberworks.com

7" Housing



Purchase Your Mortise & Tenon Master
<https://www.starhilltimberworks.com>



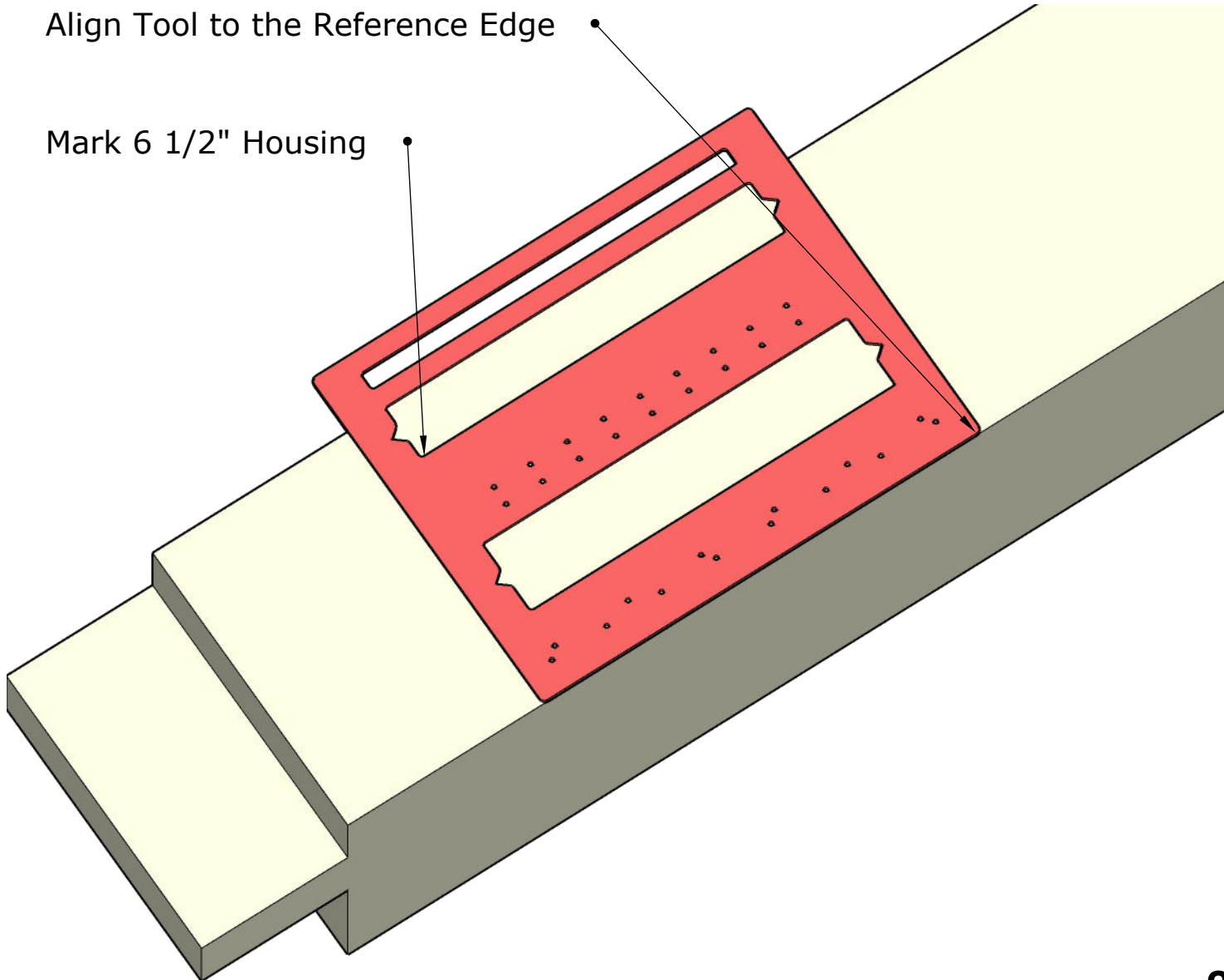
Workshops. Tools. Consulting. Design.

www.StarHillTimberworks.com

6 1/2" Housing

Align Tool to the Reference Edge

Mark 6 1/2" Housing



Purchase Your Mortise & Tenon Master
<https://www.starhilltimberworks.com>

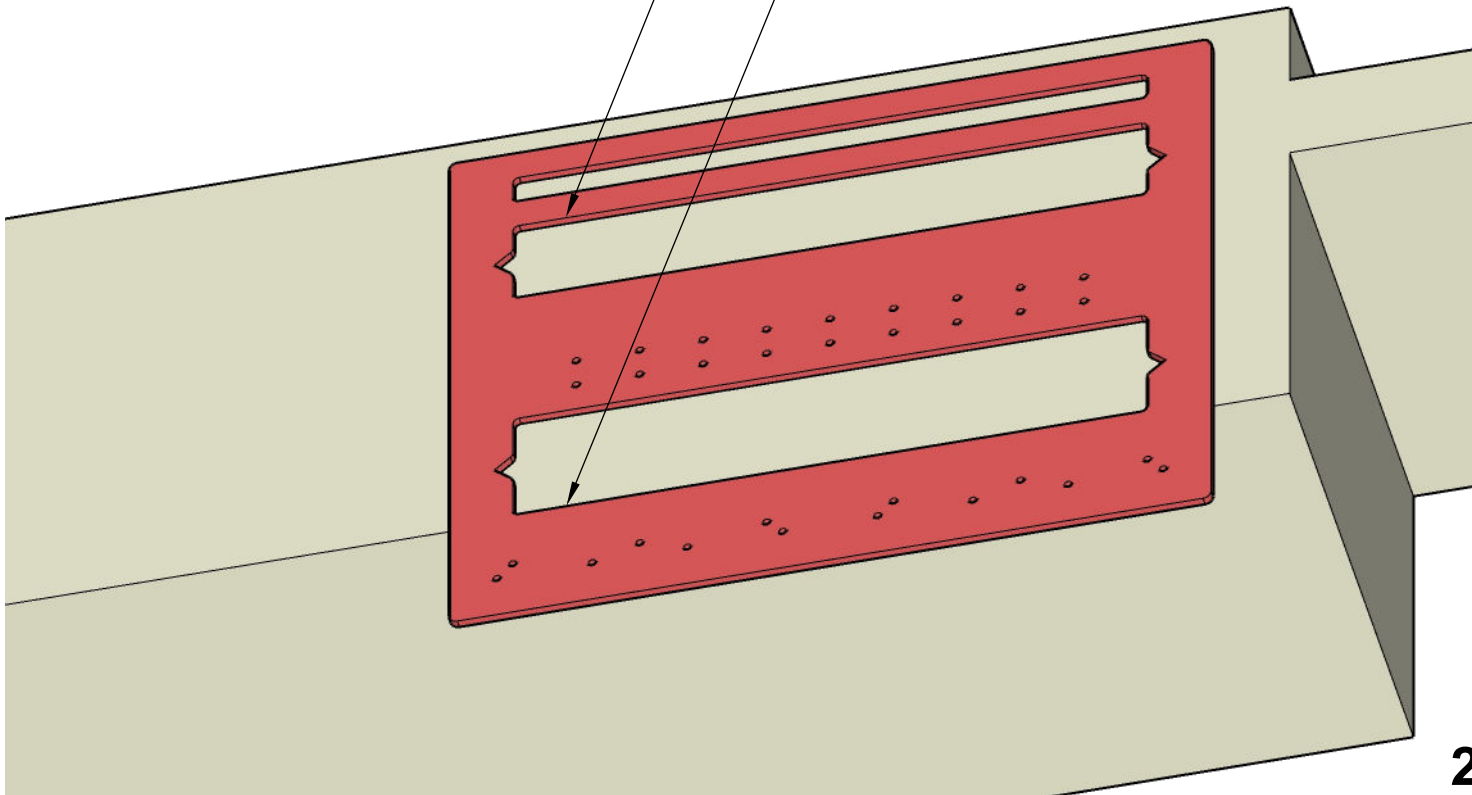


Workshops. Tools. Consulting. Design.

6" Housing

Align the 2" Slot with the Reference Edge

Mark @ 8" for a 6" Housing



Purchase Your Mortise & Tenon Master
<https://www.starhilltimberworks.com>



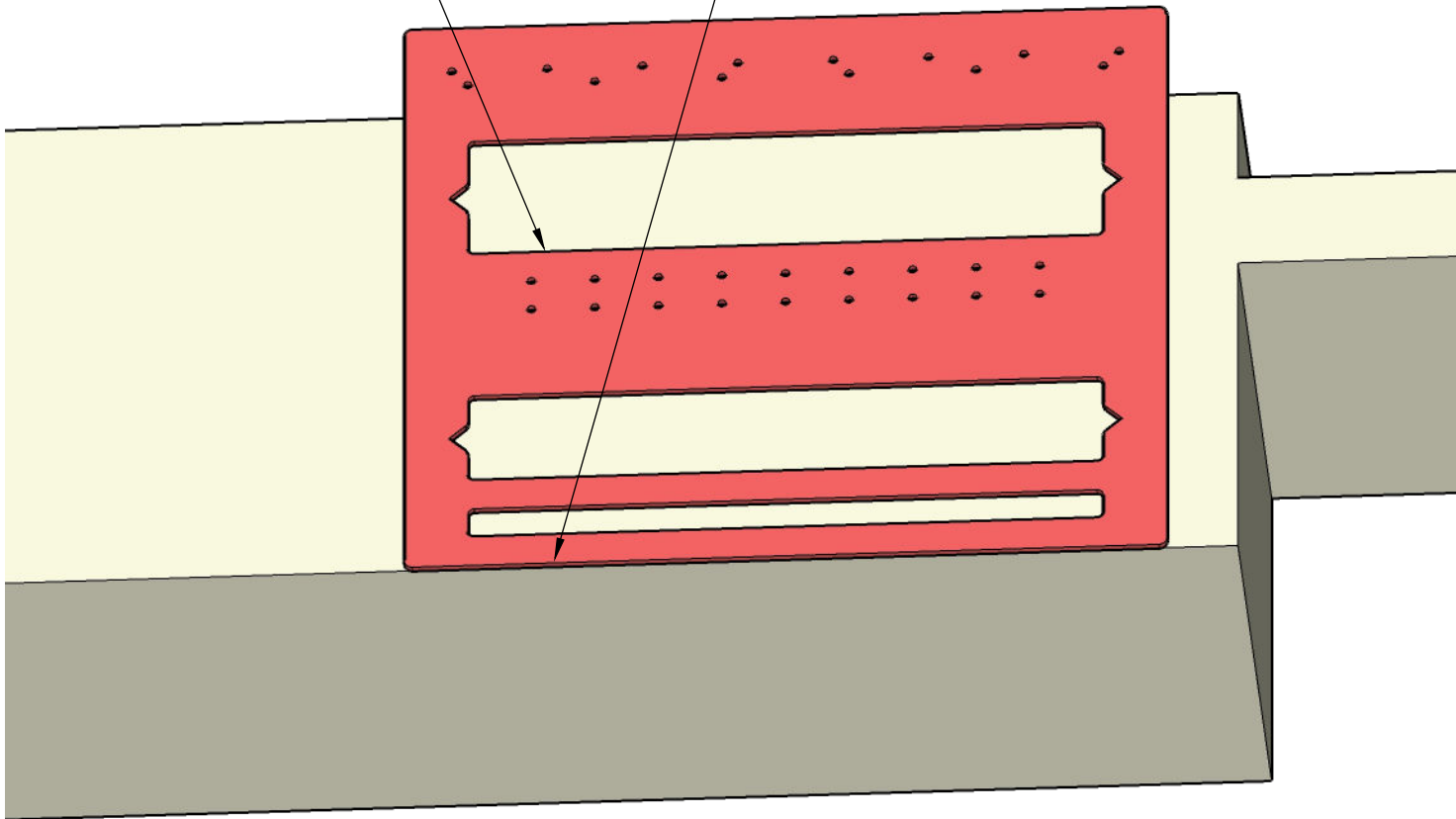
Workshops. Tools. Consulting. Design.

www.StarHillTimberworks.com

5 1/2" Housing

Align the Tool to the Reference Edge

Mark @ 5 1/2"



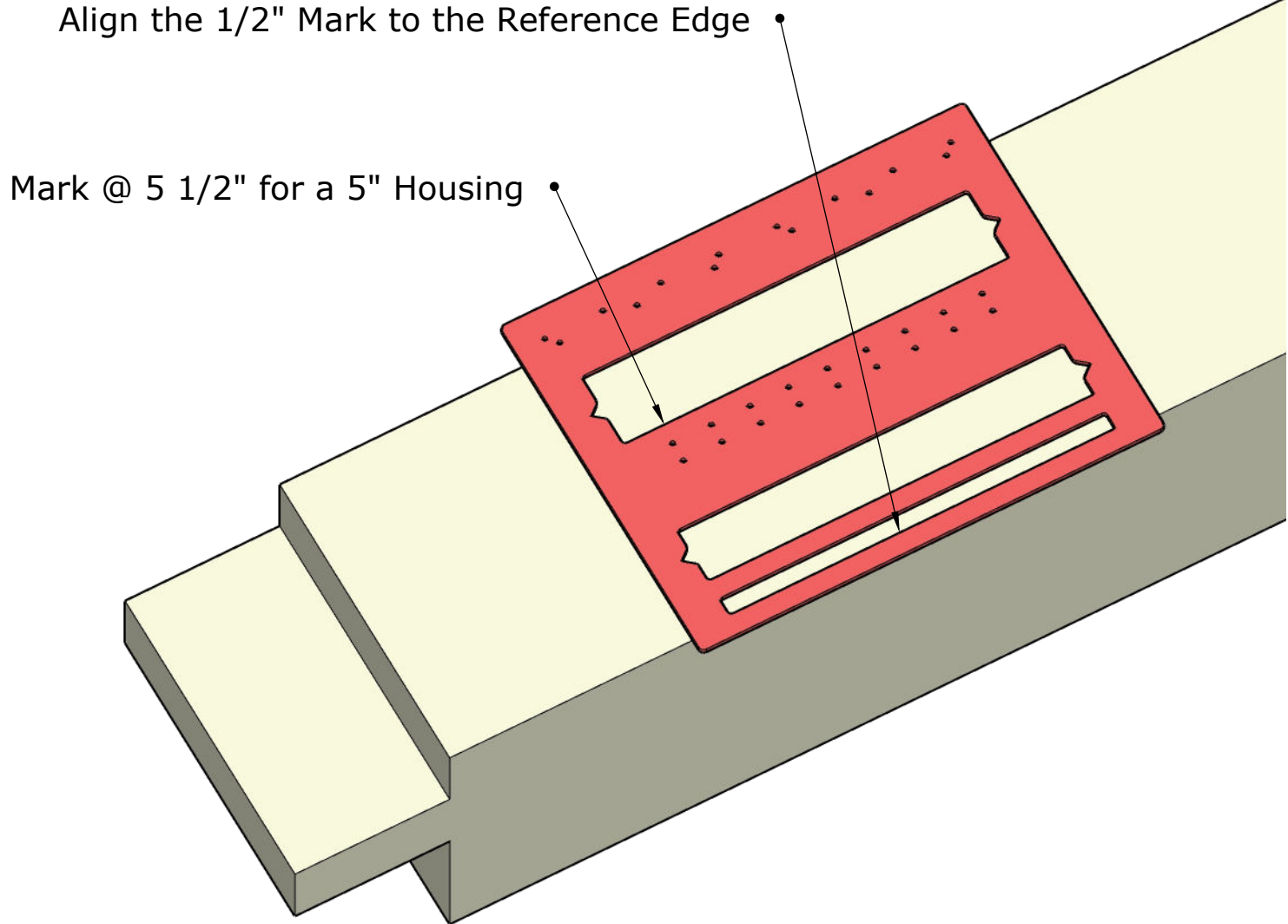
Purchase Your Mortise & Tenon Master
<https://www.starhilltimberworks.com>



Workshops. Tools. Consulting. Design.

www.StarHillTimberworks.com

5" Housing



Purchase Your Mortise & Tenon Master
<https://www.starhilltimberworks.com>



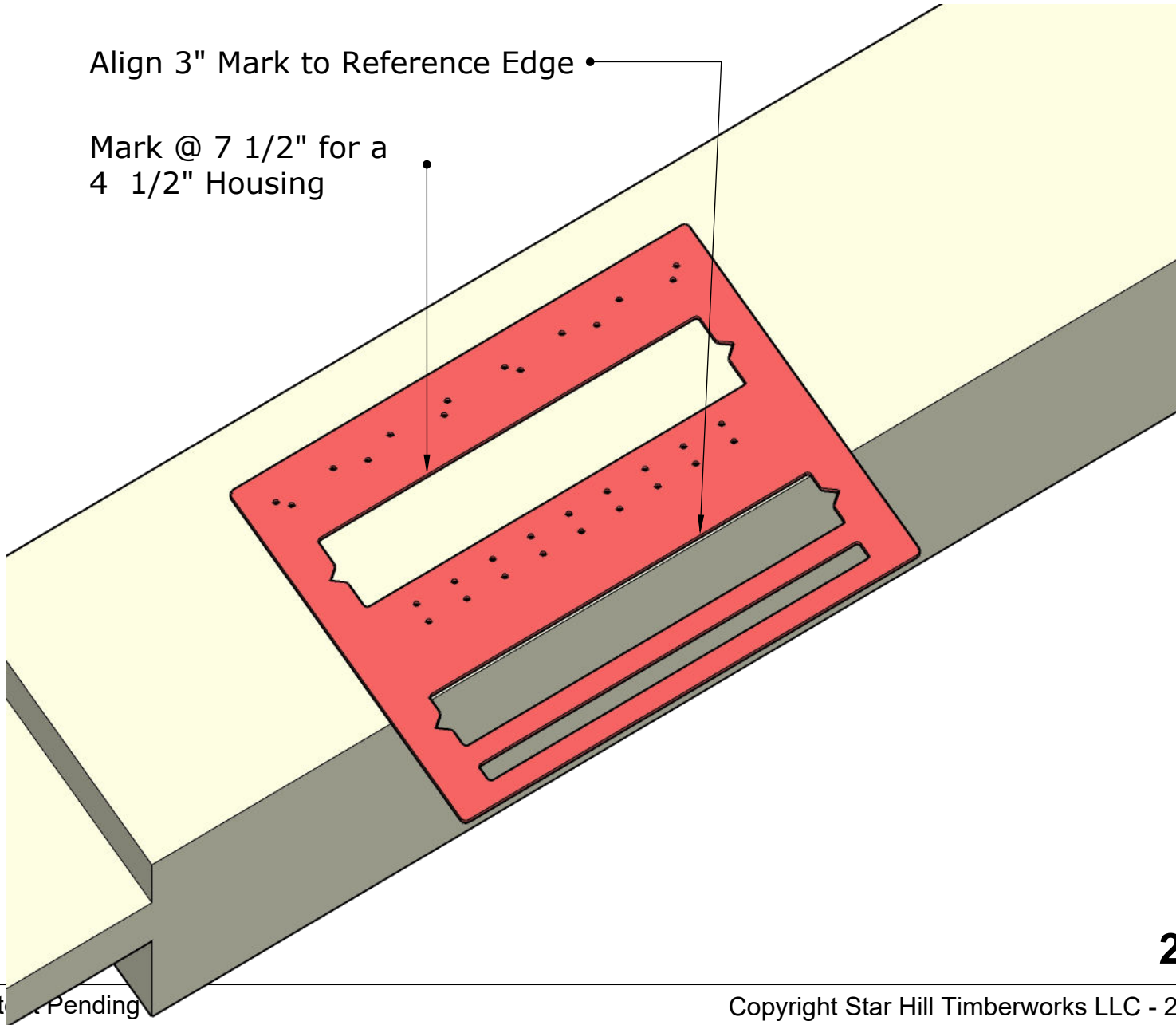
Workshops. Tools. Consulting. Design.

www.StarHillTimberworks.com

4 1/2" Housing

Align 3" Mark to Reference Edge

Mark @ 7 1/2" for a
4 1/2" Housing



Mortise and Tenon Master User Guide



Purchase Your Mortise & Tenon Master
<https://www.starhilltimberworks.com>



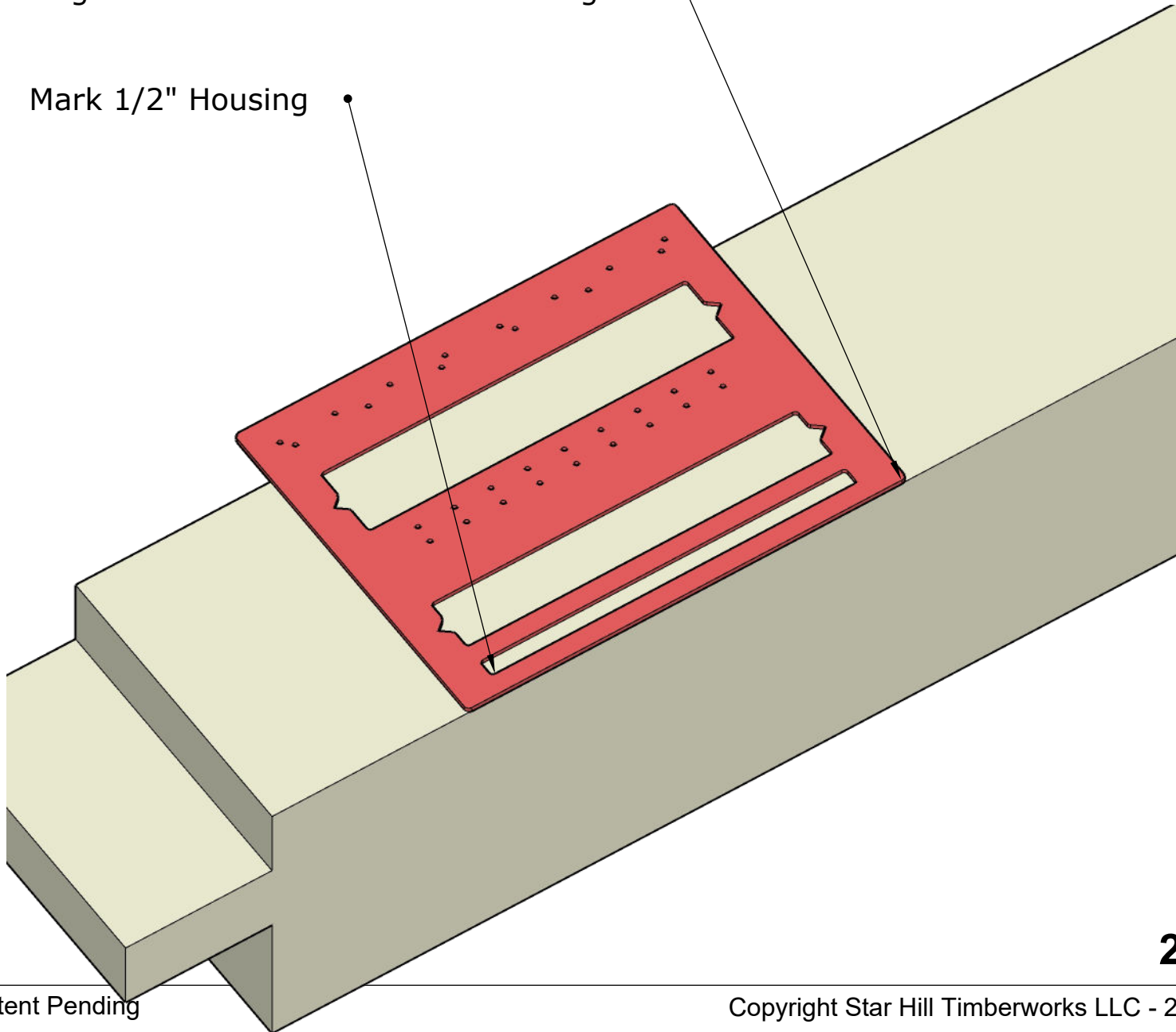
Workshops. Tools. Consulting. Design.

www.StarHillTimberworks.com

1/2" Housing

Align the Tool with the Reference Edge

Mark 1/2" Housing



Purchase Your Mortise & Tenon Master
<https://www.starhilltimberworks.com>



Workshops. Tools. Consulting. Design.

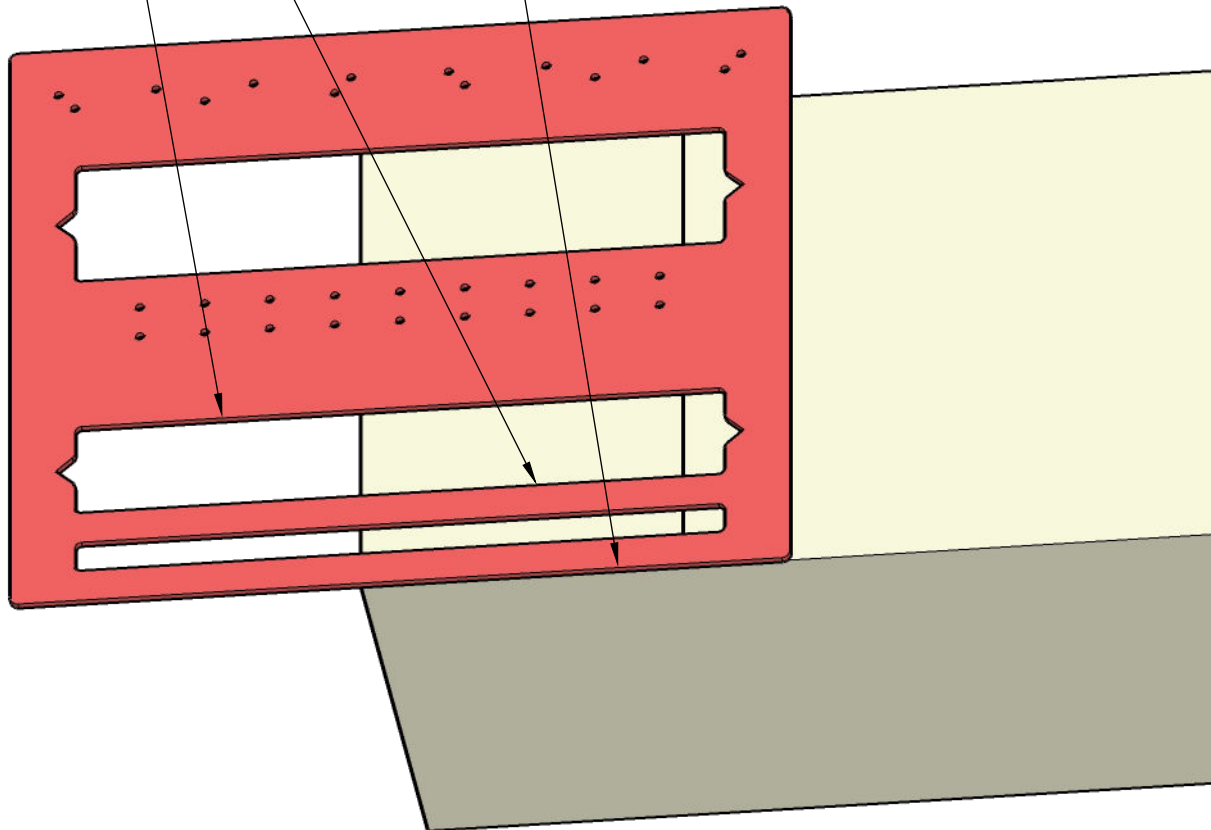
www.StarHillTimberworks.com

1 1/2" Tenon Layout

Align Tool to Reference Edge

Mark @ 1 1/2"

Mark @ 3"



Purchase Your Mortise & Tenon Master
<https://www.starhilltimberworks.com>



Workshops. Tools. Consulting. Design.

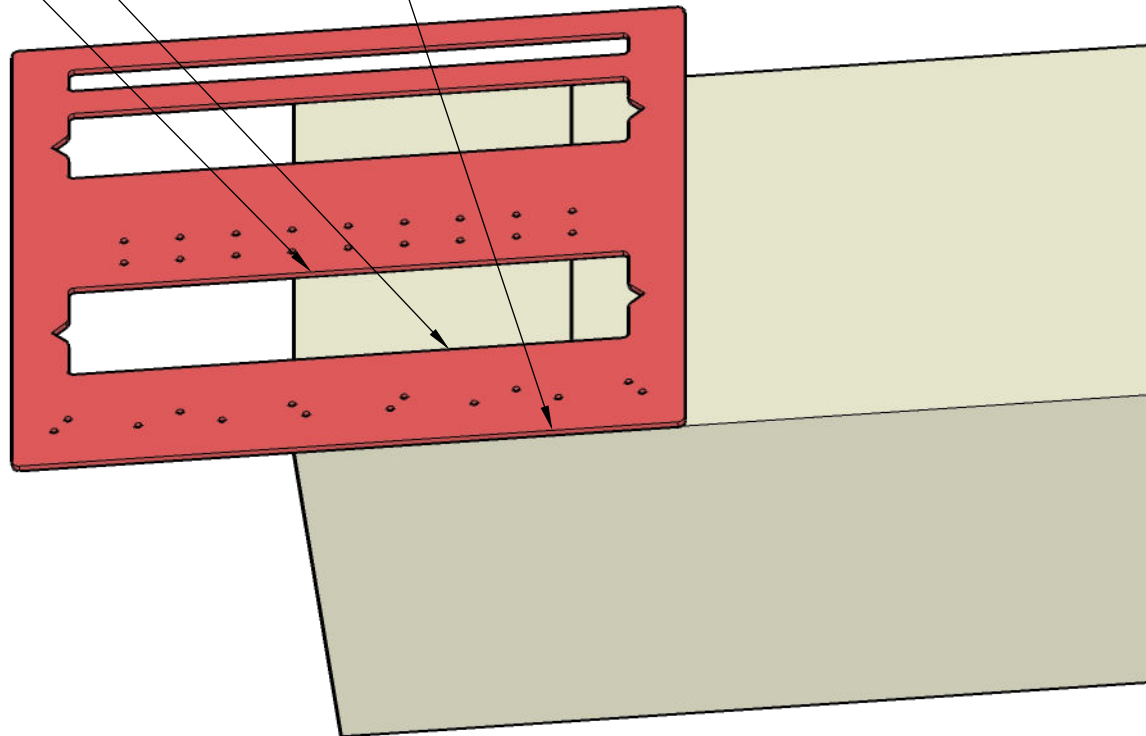
www.StarHillTimberworks.com

2" Tenon Layout

Align Tool to Reference Edge

Mark @ 2"

Mark @ 4"



Purchase Your Mortise & Tenon Master
<https://www.starhilltimberworks.com>



Workshops. Tools. Consulting. Design.

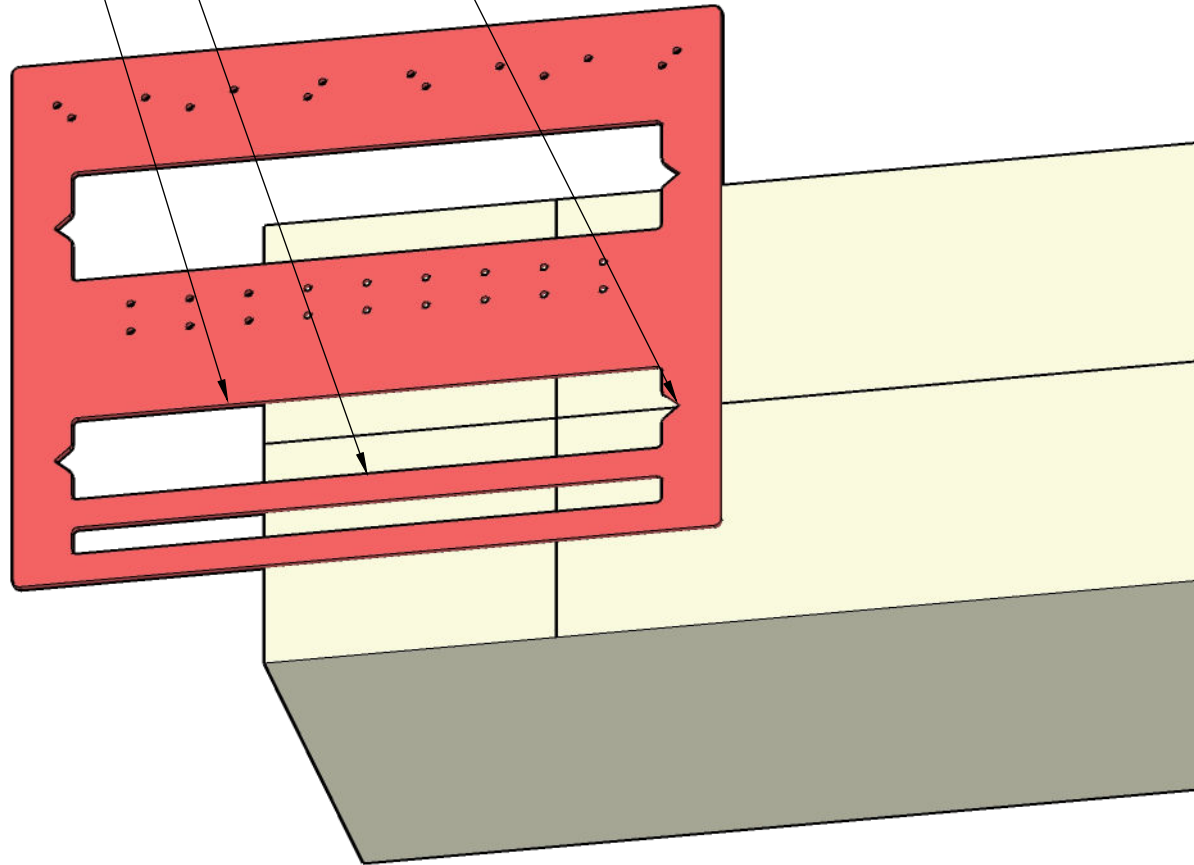
www.StarHillTimberworks.com

1 1/2" Center Line Tenon Layout

Align Notch to Center Line

Mark @ 1 1/2"

Mark @ 3"



Mortise and Tenon Master
User Guide



Purchase Your Mortise & Tenon Master
<https://www.starhilltimberworks.com>



Workshops. Tools. Consulting. Design.

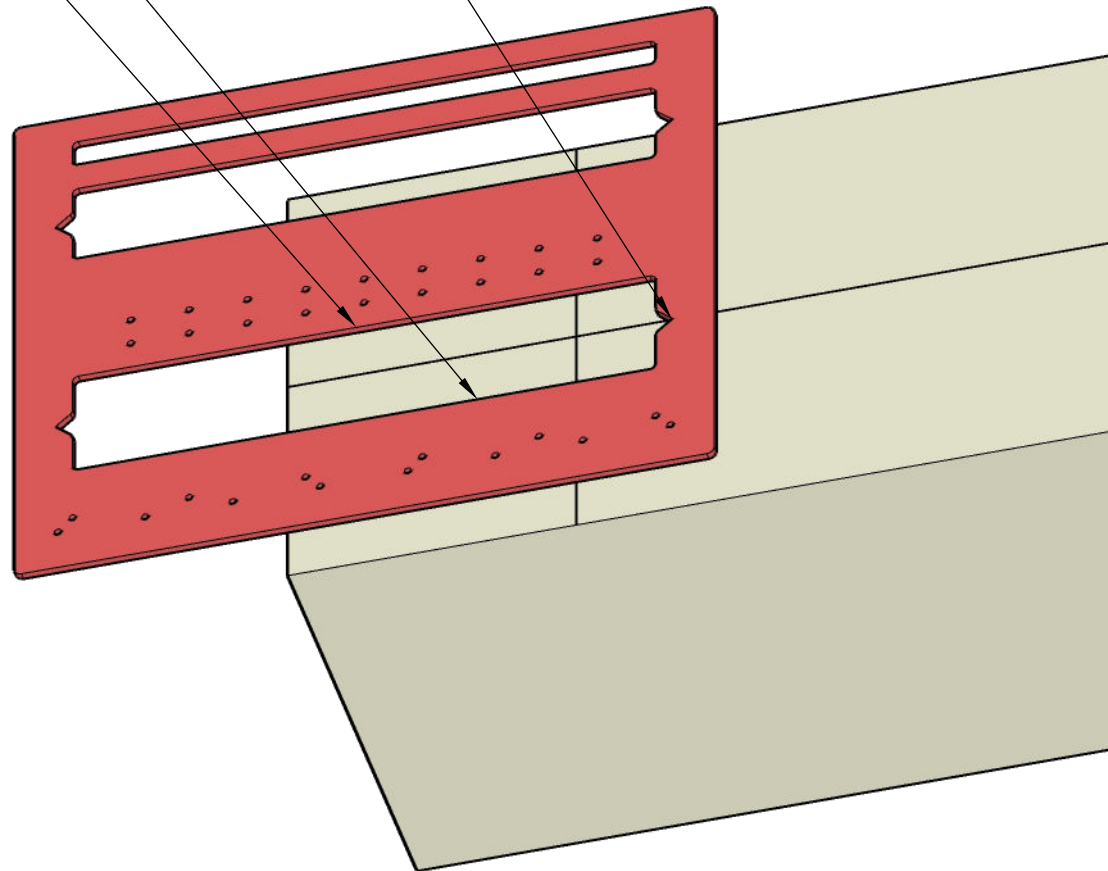
www.StarHillTimberworks.com

2" Center Line Tenon Layout

Align Notch to Center Line

Mark @ 2"

Mark @ 4"



Purchase Your Mortise & Tenon Master

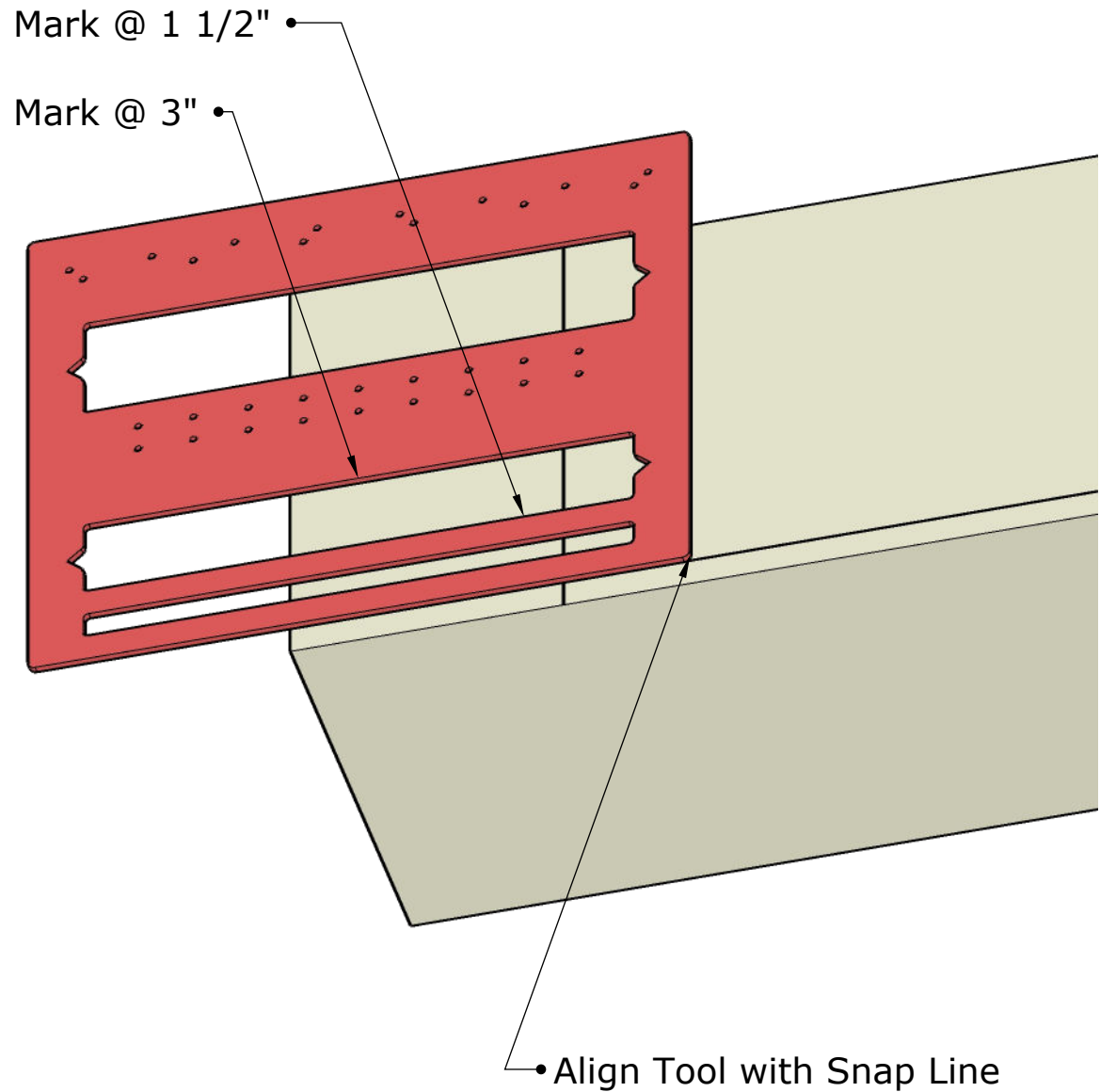
<https://www.starhilltimberworks.com>



Workshops. Tools. Consulting. Design.

www.StarHillTimberworks.com

1 1/2" Snap Line Tenon Layout



Purchase Your Mortise & Tenon Master
<https://www.starhilltimberworks.com>



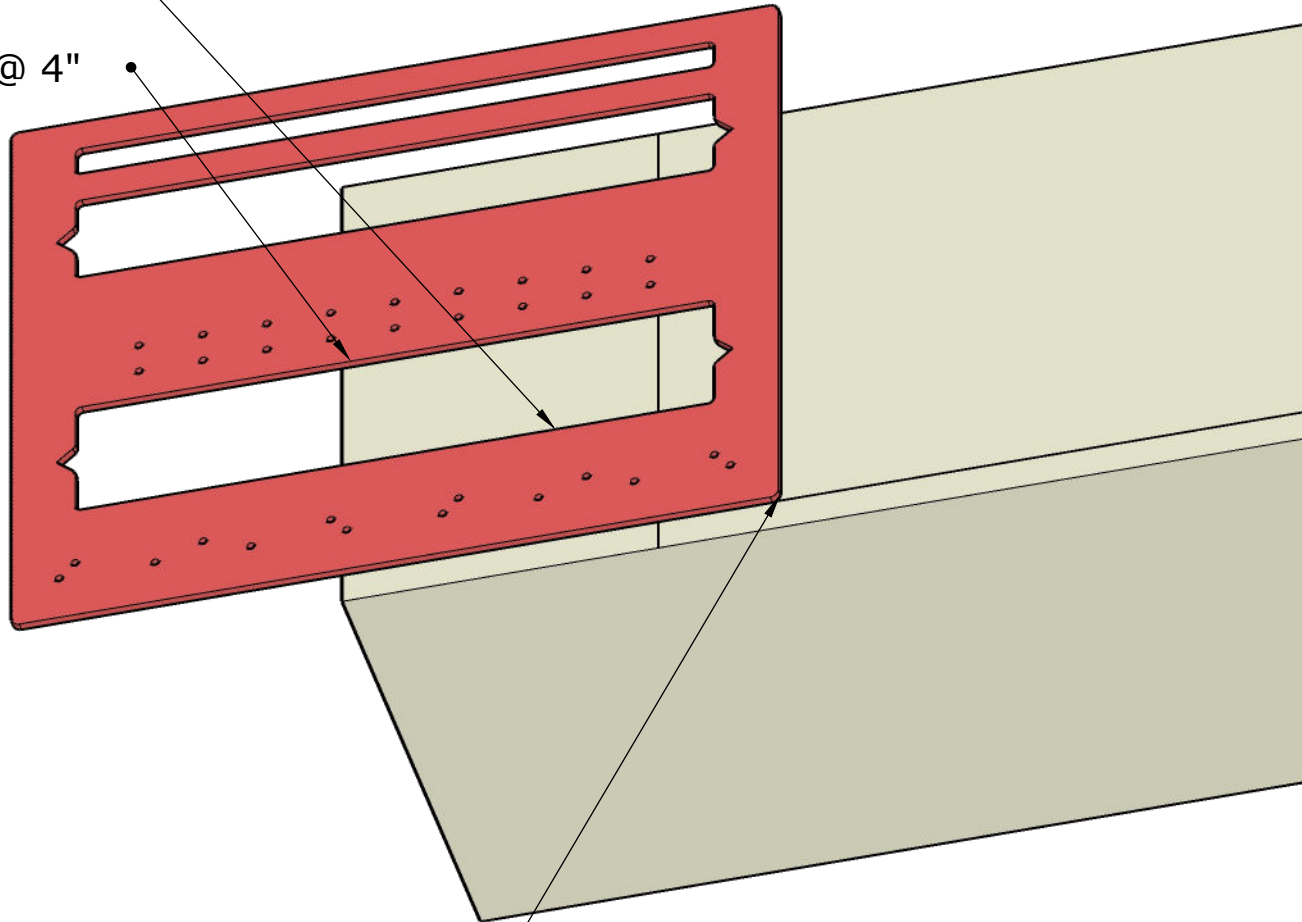
Workshops. Tools. Consulting. Design.

www.StarHillTimberworks.com

2" Snap Line Tenon Layout

Mark @ 2"

Mark @ 4"



Align Tool with Snap Line



Purchase Your Mortise & Tenon Master
<https://www.starhilltimberworks.com>



Workshops. Tools. Consulting. Design.

www.StarHillTimberworks.com